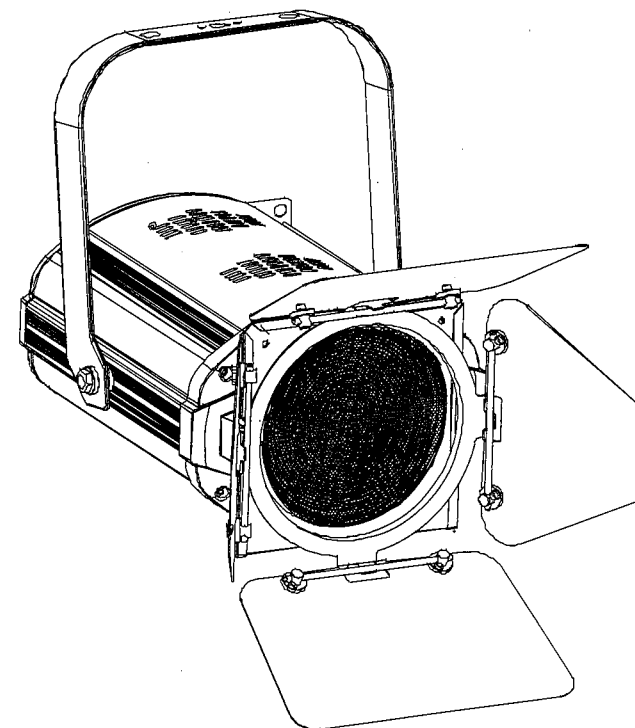


***phresnel 50***

Compact LED fresnel with zoom

**NITEC**  
powered by EK



**TABLE OF CONTENTS**

## SAFETY / GENERAL INSTRUCTIONS

## INTRODUCTION

Features  
Specifications

## OVERVIEW

Rear view  
Top view

## MOUNTING

## CONTROL MENU OVERVIEW

Control Panel  
Function Menu

## DMX FUNCTION CHART

3-channel mode  
1-channel mode

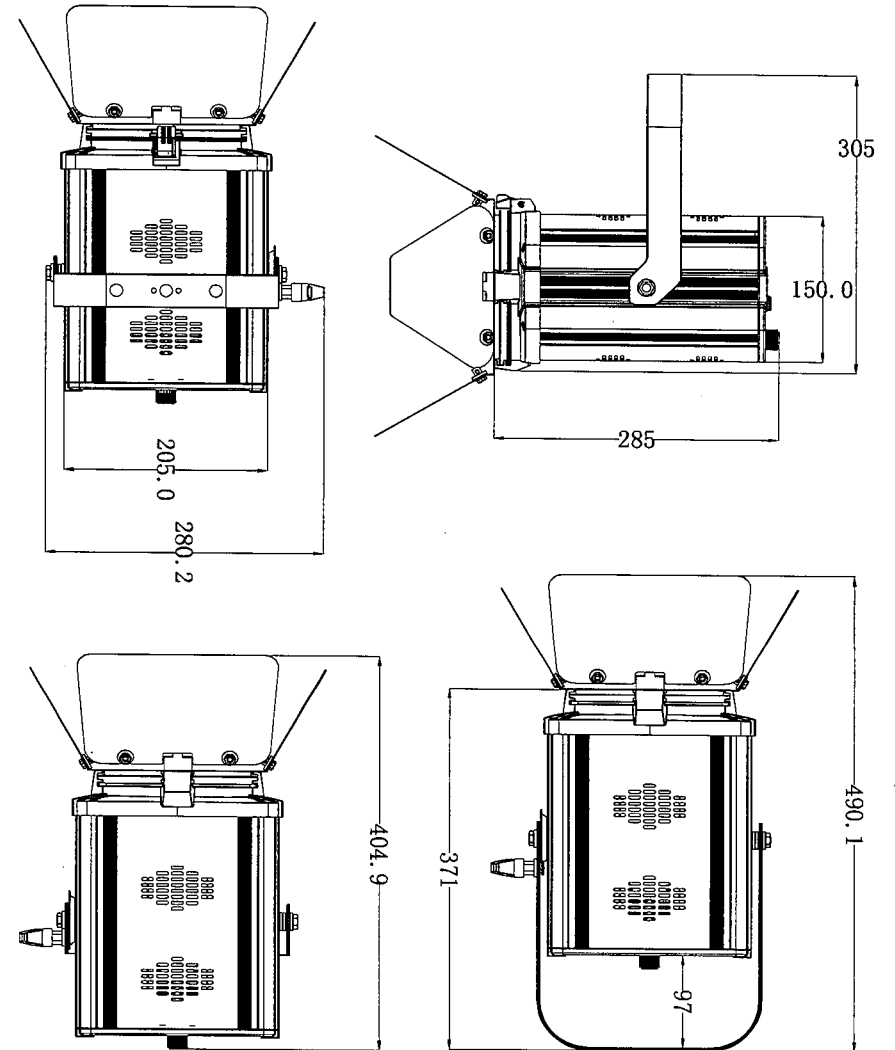
## OPERATION

## MAINTENANCE

## DIMENSIONS

**PACKING CONTENT**

- PHRESNEL 50
- Gel Frame
- Barn Doors
- Power Cord
- User Manual
- Warranty Card

**DIMENSIONS**

## MAINTENANCE

### MAINTENANCE AND CLEANING THE UNIT

- Make sure the area below the installation place is free from unwanted persons during setup.
- Switch off the unit, unplug the main cable and wait until the unit has cooled down.
- All screws used for installing the device and any of its parts should be tightly fastened and should not be corroded.
- Housings, fixations and installation spots (ceiling, trusses, suspensions) should be totally free from any deformation.
- The main cables must be in impeccable condition and should be replaced immediately even when a small problem is detected.
- It is recommended to clean the front at regular intervals, from impurities caused by dust, smoke, or other particles to ensure that the light is radiated at maximum brightness. For cleaning, disconnect the main plug from the socket. Use a soft, clean cloth moistened with a mild detergent. Then carefully wipe the part dry. For cleaning other housing parts use only a soft, clean cloth. Never use a liquid, it might penetrate the unit and cause damage to it.

### FUSE REPLACEMENT

1. Remove the safety cap by a screwdriver.
2. Replace the blown fuse with a fuse of the exact same type and rating
3. Install the safety cap, and reconnect power.



Fig.7

### TROUBLESHOOTING

Problems	Possible causes	Checks and remedies
Fixture does not light up	<ul style="list-style-type: none"> <li>• No mains supply</li> <li>• Dimmer fader set to 0</li> <li>• All color faders set to 0</li> <li>• Faulty LED</li> <li>• Faulty LED board</li> </ul>	<ul style="list-style-type: none"> <li>• Check the power supply voltage</li> <li>• Increase the value of the dimmer channels</li> <li>• Increase the value of the color channels</li> <li>• Replace the LED board</li> <li>• Replace the LED board</li> </ul>
General low light intensity	<ul style="list-style-type: none"> <li>• Dirty lens assembly</li> <li>• Misaligned lens assembly</li> </ul>	<ul style="list-style-type: none"> <li>• Clean the fixture regularly</li> <li>• Install lens assembly properly</li> </ul>
Fixture does not power up	<ul style="list-style-type: none"> <li>• No power</li> <li>• Loose or damaged power cord</li> <li>• Faulty internal power supply</li> </ul>	<ul style="list-style-type: none"> <li>• Check for power on power outlet</li> <li>• Check power cord</li> <li>• Replace internal power supply</li> </ul>
Fixture does not respond to DMX	<ul style="list-style-type: none"> <li>• Wrong DMX addressing</li> <li>• Damaged DMX cables</li> <li>• Bouncing signals</li> </ul>	<ul style="list-style-type: none"> <li>• Check control panel and unit addressing</li> <li>• Check DMX cables</li> <li>• Install terminator as suggested</li> </ul>

Contact an authorized service center in case of technical problems or not reported in the table can not be resolved by the procedure given in the table.




**WARNING!** Before carrying out any operations with the unit, carefully read this instruction manual and keep it with care for future reference. It contains important information about the installation, usage and maintenance of the unit.



## SAFETY

### General instruction

- The products referred to in this manual conform to the European Community Directives and are therefore marked with CE.
- The unit is supplied with hazardous network voltage (230V~). Leave servicing to skilled personnel only. Never make any modifications on the unit not described in this instruction manual, otherwise you will risk an electric shock.
- Connection must be made to a power supply system fitted with efficient earthing (Class I appliance according to standard EN 60598-1). It is, moreover, recommended to protect the supply lines of the units from indirect contact and/or shorting to earth by using appropriately sized residual current devices.
- The connection to the main network of electric distribution must be carried out by a qualified electrical installer. Check that the main frequency and voltage correspond to those for which the unit is designed as given on the electrical data label.
- This unit is not for home use, only professional applications.
- Never use the fixture under the following conditions:
  - in places subject to vibrations or bumps;
  - in places with a temperature of over 40 °C.
- Make certain that no inflammable liquids, water or metal objects enter the fixture.
- Do not dismantle or modify the fixture.
- All work must always be carried out by qualified technical personnel. Contact the nearest sales point for an inspection or contact the manufacturer directly.
- If the unit is to be put out of operation definitively, take it to a local recycling  plant for a disposal which is not harmful to the environment.

### Warnings and installation precautions

- If this device will be operated in any way different to the one described in this manual, it may suffer damage and the guarantee becomes void. Furthermore, any other operation may lead to dangers like short circuit, burns, electric shock, etc.
- Before starting any maintenance work or cleaning the projector, cut off power from the main supply.
- Always additionally secure the projector with the safety rope. When carrying out any work, always comply scrupulously with all the regulations (particularly regarding safety) currently in force in the country in which the fixture's being used.
- Install the fixture in a well ventilated place.
- Keep any inflammable material at a safe distance from the fixture.
- Shields, lenses or ultraviolet screens shall be changed if they have become damaged to such an extent that their effectiveness is impaired.
- The lamp (LED) shall be changed if it has become damaged or thermally deformed.
- Never look directly at the light beam. Please note that fast changes in lighting, e. g. flashing light, may trigger epileptic seizures in photosensitive persons or persons with epilepsy.
- Do not touch the product's housing when operating because it may be very hot.

**INTRODUCTION**

PHRESNEL 50 is a compact LED fresnel with manual zoom.

**FEATURES**

- 17° - 50° zoom for convenient versatility across many applications
- High CRI (>91) for natural rendering of complexions and surfaces
- Soft-edged coverage with extremely consistent 3500K warm white field
- Flicker-free output for worry-free video
- Quiet operation suitable for studio use
- Rugged die-cast body and low-maintenance design
- Power In and Out connections for linking multiple units
- Flawless dimming with consistent color temperature throughout the dimming curve
- Included barn doors for shaping light output
- Included gel frame for attaching color filters
- DMX and Manual control, UFI (optional)

**SPECIFICATIONS**

Light Source:	1 x 50W white LED
Color Temp:	3500K
Zoom Range:	17° - 50°
Output at 17°:	2,490 lux @ 3 meters
Output at 50°:	470 lux @ 3 meters
Strobe:	0 - 30 Hz
Dimming:	0-100% dimming, 4 selectable dimming curves
Control modes:	DMX, Manual, optional UFI
DMX Channels:	1 / 3
Built-in Programs:	Yes
Menu:	4 digit LED menu with touch buttons
Mains:	100 - 240 VAC, 50/60 Hz
Power:	64W
Fuse:	T1A 250V
Power connections:	PowerKon In/Out
Power linking:	up to 24 units @ 120V ; up to 48 units at 230V
Data connections:	3-pin XLR In/Out for DMX
Housing:	Aluminum
Finish:	Matte black
IP rating:	IP20
Cooling:	Auto-sensing noiseless fan
Dimensions:	285 x 280 x 305mm
Weight:	4 KG

**OPERATION****ZOOM and DIMMING KNOBS**

Use the Zoom knob to adjust beam angle  
Use the Dimming knob to adjust light output level

**GELS**

Color gels may be inserted in the gel frame, which fits into the gel frame holder

**DMX MODES**

Press MENU button until **1-CH** or **3-CH** is displayed  
Press ENTER to select 1-channel or 3-channel DMX mode  
Press UP or DOWN to select DMX starting address  
Press ENTER

**MANUAL DIMMING**

Press MENU button until **U--** is displayed  
Press ENTER  
Press UP or DOWN to select dimmer (d000-255)  
Press ENTER and use UP or DOWN to select values

**SELECTING DIMMER CURVES**

Press MENU button until **dim** is displayed  
Press ENTER  
Press UP or DOWN to select dimmer curve (**OFF, dim1, dim2, dim3**)  
Press ENTER

**FAN**

Press MENU button until **FAN** is displayed  
Press ENTER  
Press UP or DOWN to select **AUTO** or **ON**  
Press ENTER

## DMX FUNCTION CHART

Channel      Function      Value      Percent/Setting

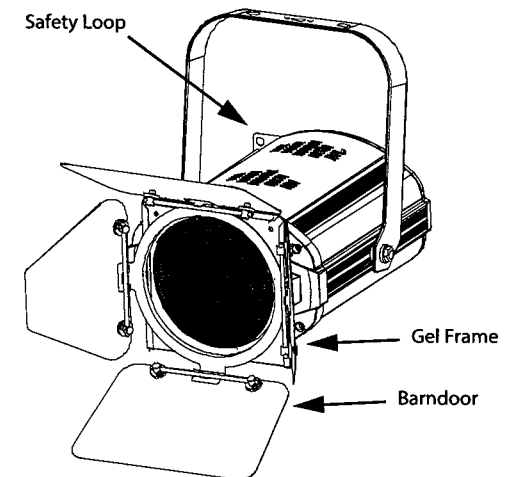
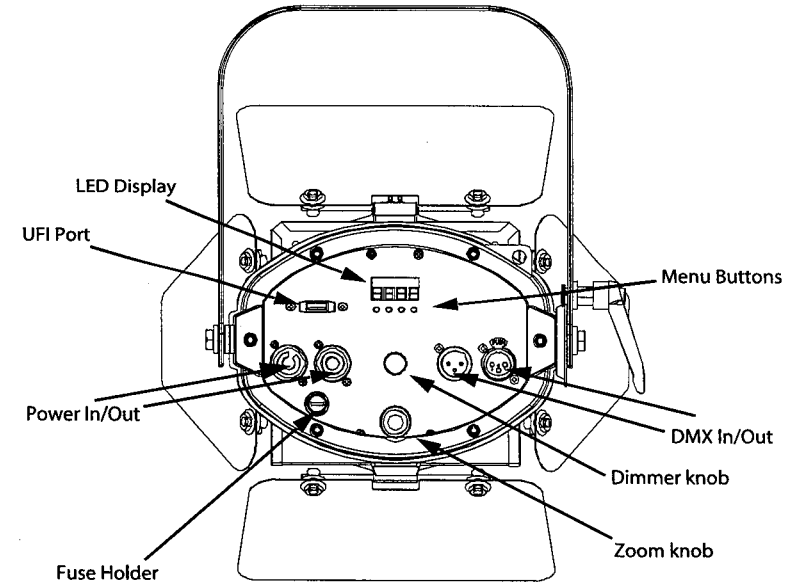
### 3-CHANNEL MODE

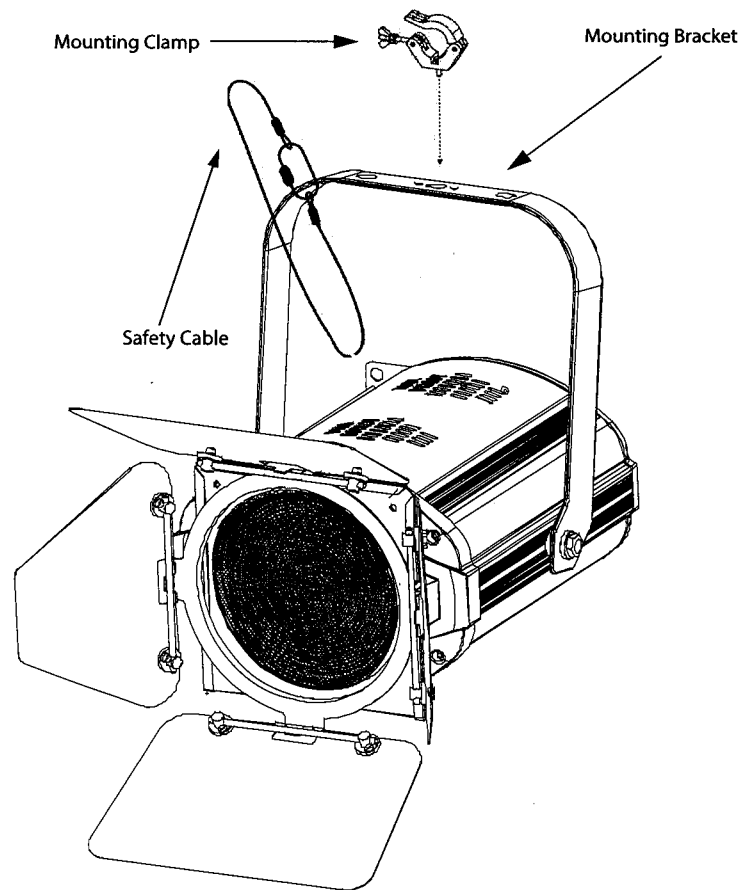
1	Dimmer	000 - 255	0-100%
2	Strobe	000 - 010	No function
		011 - 255	Strobe speed (slow to fast)
3	Dimmer Speed	000 - 051	Dimmer Speed set from display
		052 - 101	Dimmer speed mode off
		102 - 152	Dimmer speed mode 1 fast
		153 - 203	Dimmer speed mode 2 medium
		204 - 255	Dimmer speed mode 3 slow

### 1-CHANNEL MODE

1	Dimmer	000 - 255	0-100%
---	--------	-----------	--------

## OVERVIEW



**MOUNTING****CONTROL MENU OVERVIEW****CONTROL PANEL**

<b>BUTTON</b>	<b>FUNCTION</b>
<b>Menu</b>	Selects operating mode or exits submenus
<b>Up</b>	Scrolls up through option lists or selects higher value
<b>Down</b>	Scrolls down through option lists or selects lower value
<b>Enter</b>	Activates displayed menu option or selected value

**FUNCTION MENU**

<b>MODE</b>	<b>OPTIONS / VALUES</b>	<b>DESCRIPTION</b>
<b>1-CH</b>	<b>d001-512</b>	1-channel DMX mode
<b>3-CH</b>	<b>d001-512</b>	3-channel DMX mode
<b>U-</b>	<b>d000-255</b>	Manual dimmer setting
<b>dIM</b>	<b>OFF</b>	Dimmer curve setting (Off, Fast, Medium, Slow)
	<b>dIM1</b>	
	<b>dIM2</b>	
	<b>dIM3</b>	
<b>FAN</b>	<b>AUTO</b>	Set fan to Auto mode or always On
	<b>ON</b>	