

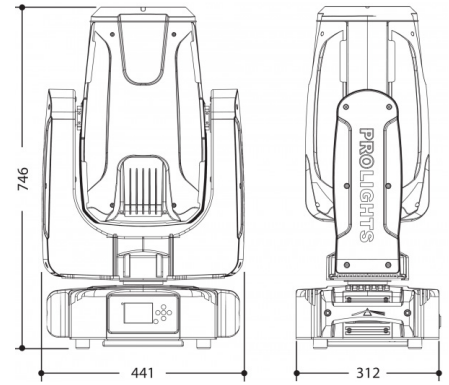
PANORAMA IP65 BEAM

MUSMOV100

The PANORAMAIPAIRBEAM is a stunning IP65 moving beam light which delivers an unbelievably bright 2° beam ideal for an outdoor searchlight and big air look. Designed to make a statement, the PANORAMAIPAIRBEAM can truly make an event stand out or fill a large outdoor space with spectacular beams.



PANORAMA IP65 BEAM MUSMOV100



LIGHT SOURCE

Source:	440W Osram Sirius HRI
CT:	7,000K
CRI:	80
Luminous flux:	12,457lm
Lux:	1,270,259lux @5m
Lux:	317,565lux @10m
Source life expectancy:	1.500 h

OPTICS

Beam angle:	2°
Lens diameter:	163.5mm
Lens type:	High-quality glass lens optics
Focus:	Motorised with auto-focus

COLOUR SYSTEM

Colour mixing:	CMY colour system on 3 gradually fading colour wheels
CTC:	On wheel 2500K and 3200K + CTB
Colour wheel:	13 dichroic filters + open on 3 independent colour wheels

DYNAMIC EFFECTS

Rotating gobos:	9 rotating gobos + open, interchangeable, indexing
Fixed gobos:	15 fixed gobos + open
Gobo size:	Gobo Ø 15.9 mm - img vØ 9 mm - 1.1 mm
FX generator:	Prisms overlap for spectacular aerial effects
Circular prism:	16f with bi-directional rotation, indexing
Linear prism:	6f with bi-directional rotation, indexing
Frost:	Linear 0-100% frost filter

BODY

Pan angle:	630° - 540°
Tilt angle:	230°
Pan/Tilt resolution:	16 bit
Feedback:	Automatic repositioning after accidental movement
Body:	Aluminium structure with hi-resistance polycarbonate cover
Body colour:	Black

CONTROL

Protocols:	DMX512, RDM, Art-Net, W-DMX
DMX channels:	19 / 22 / 28 channel
W-DMX:	Included, wireless solution receiver
RDM:	RDM ready for fixture remote monitor and settings
Display:	LCD high resolution colour display with autoflip
Firmware upgrade:	Via menu with internal memory or via USB-DMX interface (UPBOX2) not included
Hibernation:	Power safe mode when lost DMX

ELECTRONICS

Dimmer:	Linear 0~100% mechanical dimmer
Strobe / shutter:	1~28 flash(s), mechanical
Operating temperature:	-10° ~ +45°

ELECTRICAL

Power supply:	100-240V – 50/60Hz
Power consumption (at 230V):	522W
Power consumption (at 120V):	522W

PHYSICAL

Cooling:	Forced air with low noise fan
Suspension and fixing:	Any position with quick-lock omega brackets
Signal connection:	Seetronic XLR 5p IN/OUT connectors
Data connection:	Art-Net RJ45 IN/OUT
Power connection:	Neutrik powerCON TRUE1 IN connector
IP rating:	65 for outdoor events
Dimensions (WxHxD):	441x746x312mm
Weight:	39kg

