

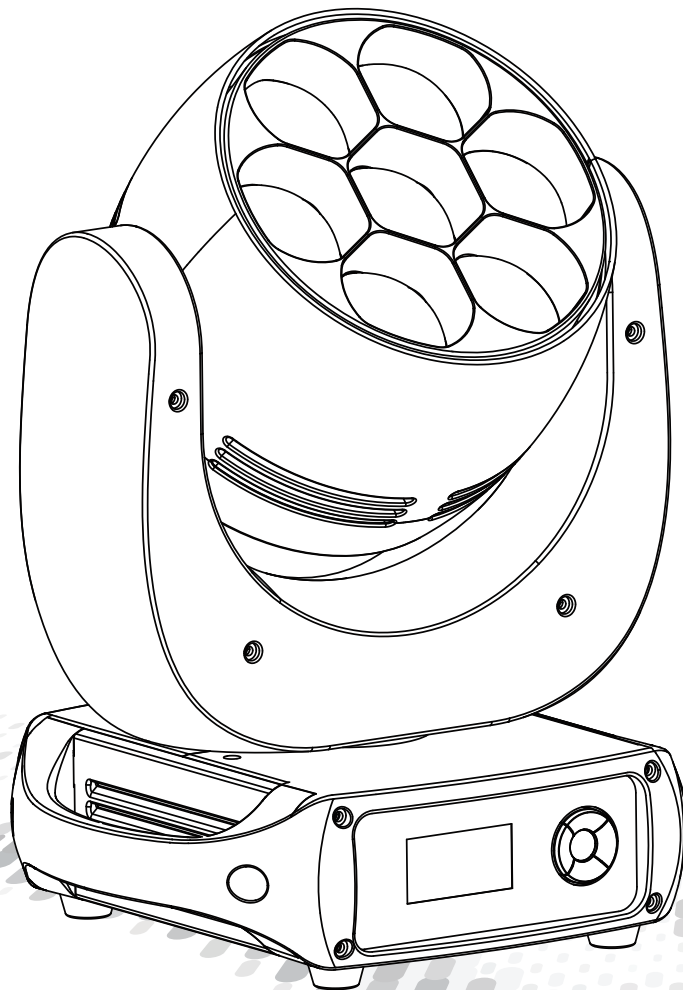
# SHOWPRO

## PLUTO 2000

### USER MANUAL

PLUTO 2000

LEDMOV530



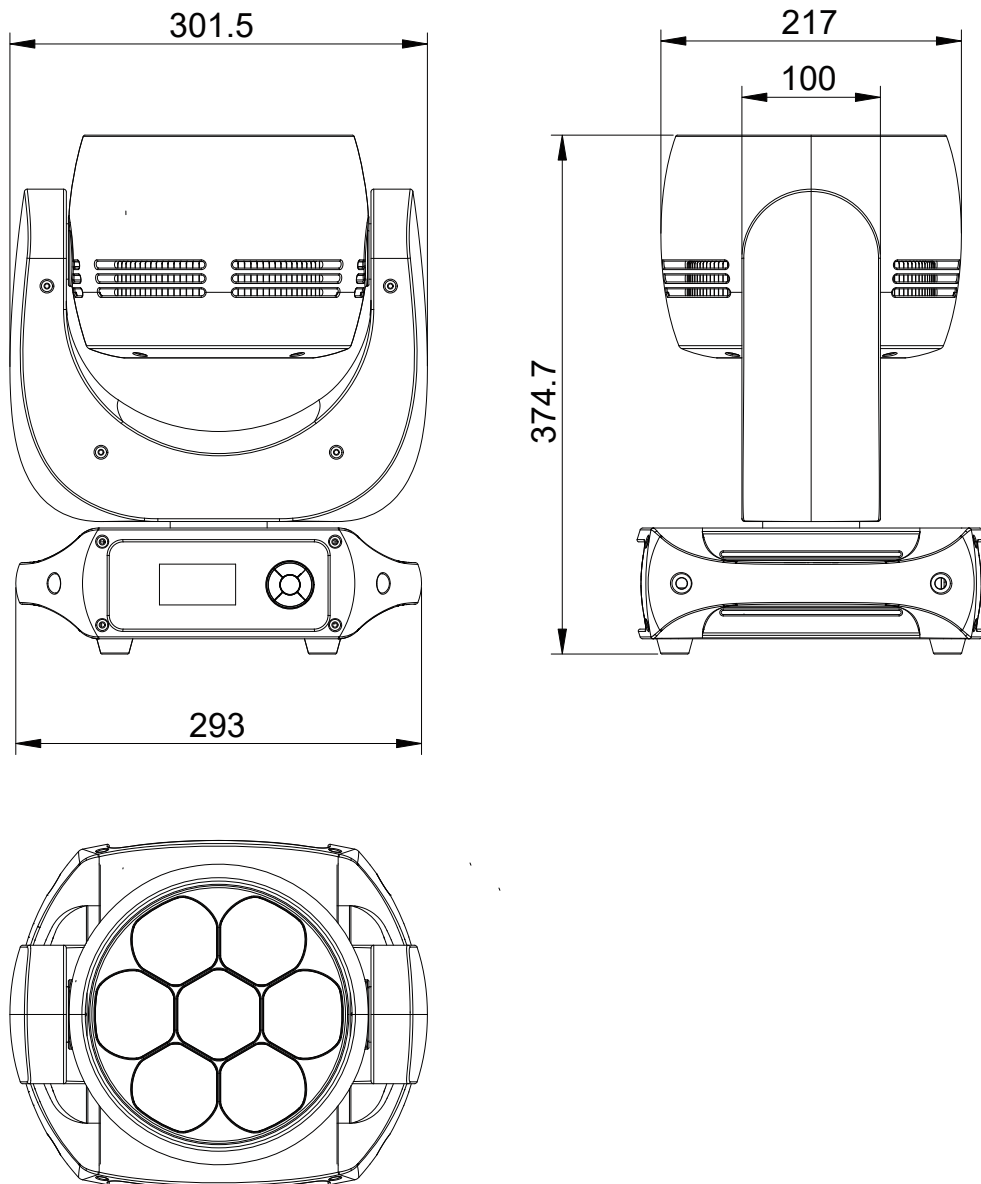
# 1 PRODUCT SPECIFICATIONS

## 1.1 PRODUCT SPECIFICATIONS

### Electrical

- ◆ Voltage: 100V-240V~, 50/60Hz
- ◆ Max Power: 300W
- ◆ Size: 375x302x251mm
- ◆ Weight: 9.3kg

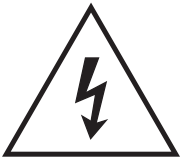
## 1.2 PRODUCT FEATURES



## 1.3 SAFETY WARNING

### IMPORTANT:

- This product must be installed by a qualified professional.
- All maintenance must be carried out by a qualified electrician.
- A minimum distance of 0.5m must be maintained between the equipment and a combustible surface.
- The product must always be operated in a well ventilated area.
- DO NOT stare directly into the LED light source.
- Always disconnect the power before carrying out any maintenance.
- The earth must always be connected to the ground.
- Ensure that all parts of the equipment are kept clean and free of dust.
- Do not open the fixture or remove any cover. Refer any service operation not described in this manual to an authorized Show Technology Service Centre

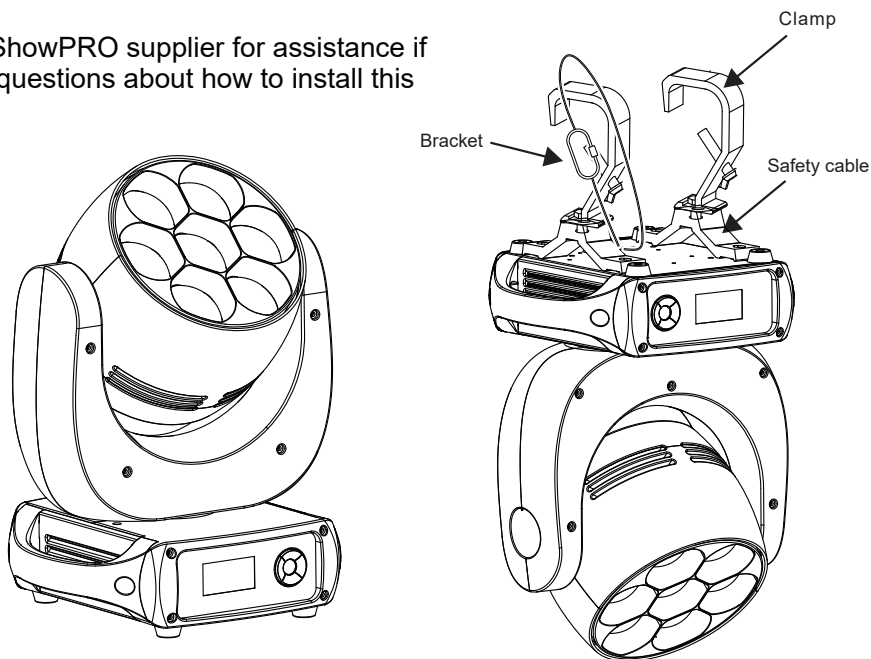


Caution, risk of electric shock  
The light source contained in this luminaire shall only be replaced by the manufacturer or his service agent or a similar qualified person.

## 2 INSTALLATION

### 2.1 MOUNTING:

- The fixture can be mounted in any position.
- Always ensure that mounting surface can withstand 10 times the weight of the fixture.
- Always use a safety cable when mounting the fixture in any elevated position.
- Contact your ShowPRO supplier for assistance if you have any questions about how to install this product safely.



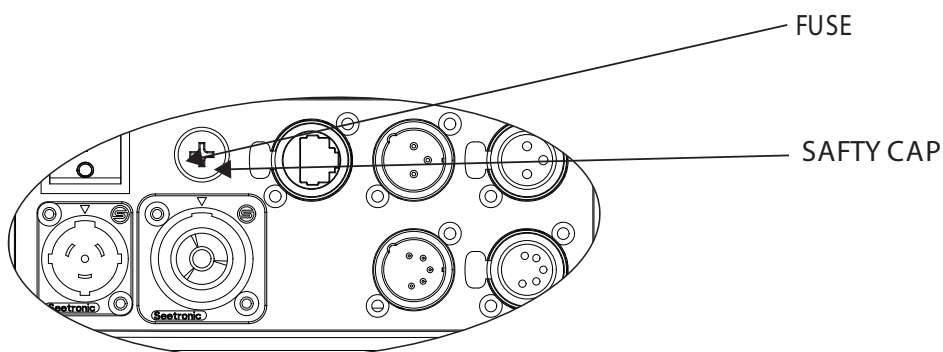
### **IMPORTANT SAFETY NOTE!!**

Always use a safety cable when installing this unit!!

Be sure that the safety cable is connected to a solid load-bearing structure.

### 2.2 FUSE REPLACEMENT

- Remove the safety cap by a screwdriver.
- Fetch the old fuse from safety cap.
- Install a new fuse.
- Install the safety cap.



## 2.3 POWER CONNECTIONS

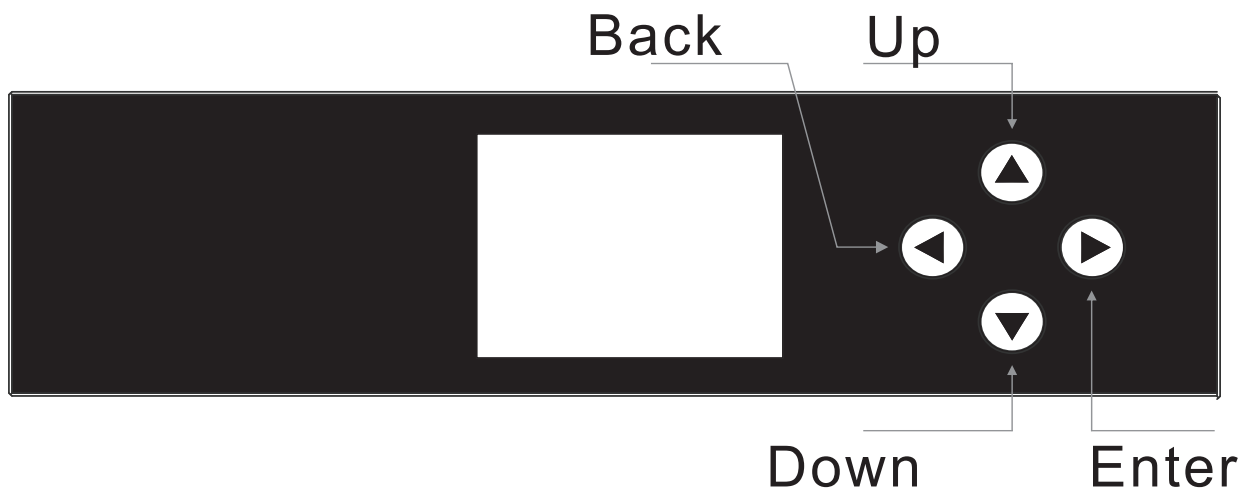
- 220~240V: 6 units may be connected in series
- 110~120V: 3 units may be connected in series

**Note:**

If the signal cable is over 60m between the DMX512 controller and fixture or between two fixtures, then a DMX signal amplifier is needed as well.

# 3 DISPLAY PANEL OPERATION

## 3.1 DISPLAY OPERATION



• <UP> Scroll 'UP' through the menu list or increase the value of the current function.

• <DOWN> Scroll 'DOWN' through the menu list or decrease the value of the current function.

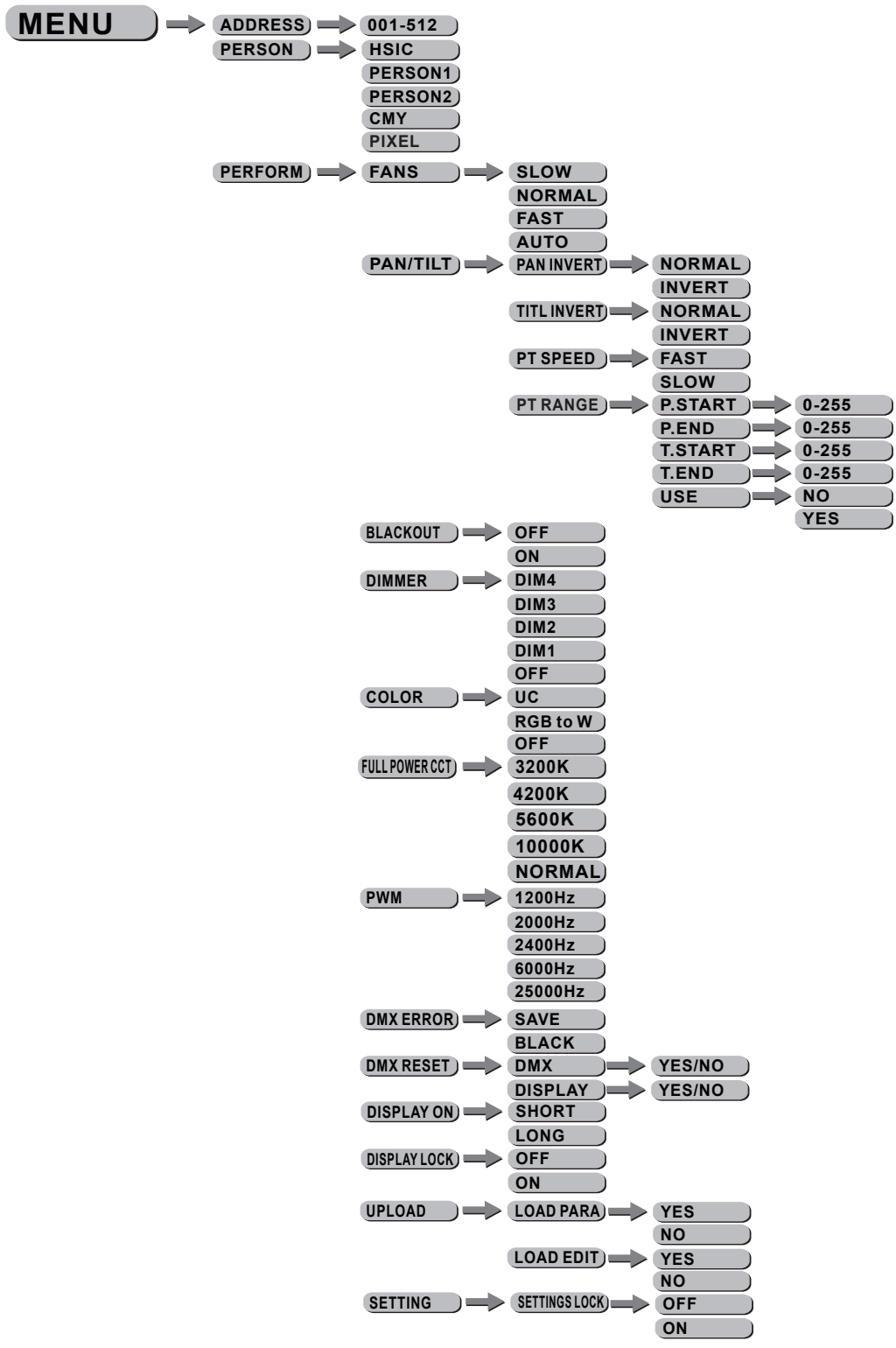
• <BACK> Scroll through the main menu or exit current function.

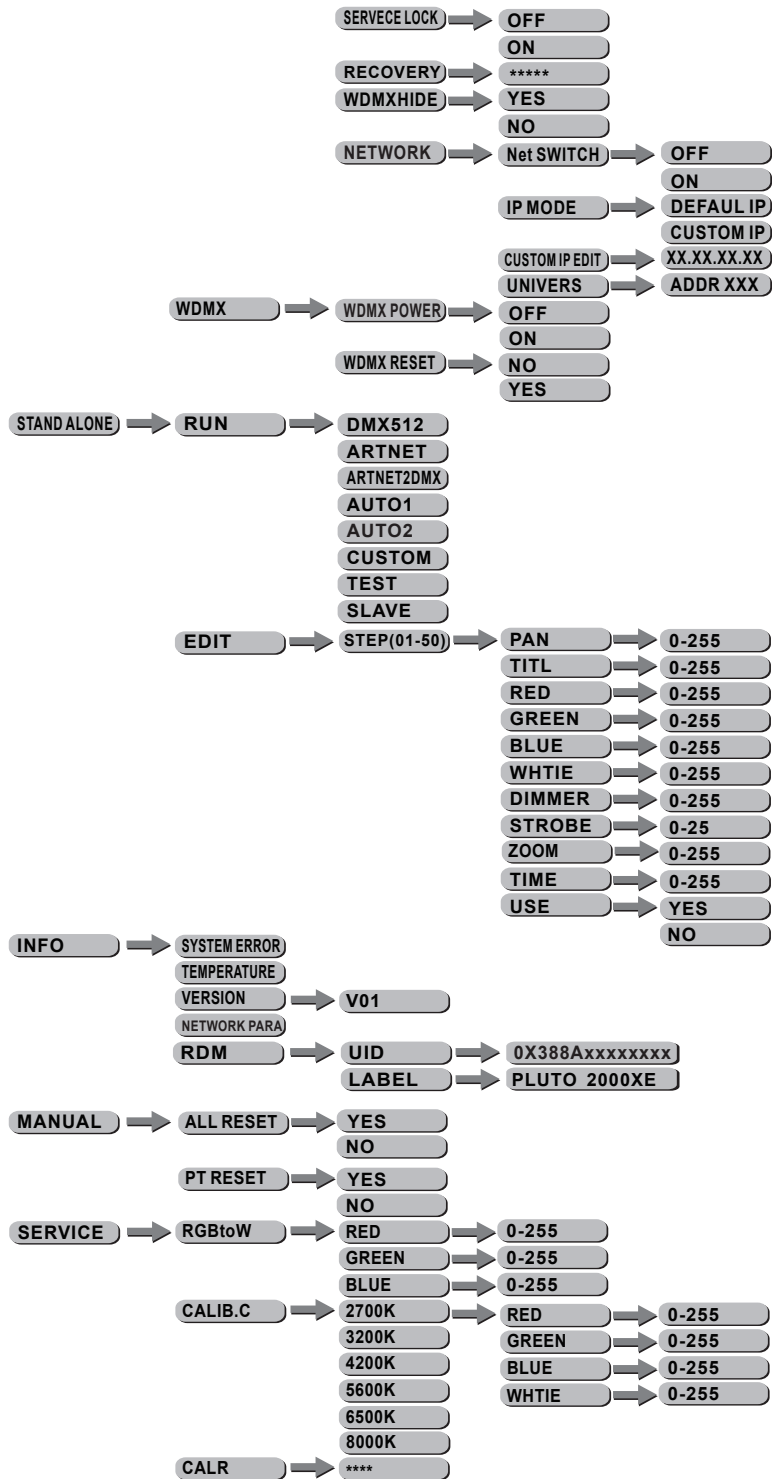
• <ENTER> Enter the currently selected menu or confirm the current function value.

• To Unlock (Wake) the display:

1. Keep pressing BACK around 5 seconds, until the display shows password prompt
2. Press “<UP> <DOWN><UP><DOWN><ENTER>” to unlock.

### 3.2 MENU MAP



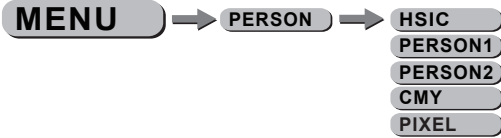


### 3.3 DMX512 SETTINGS



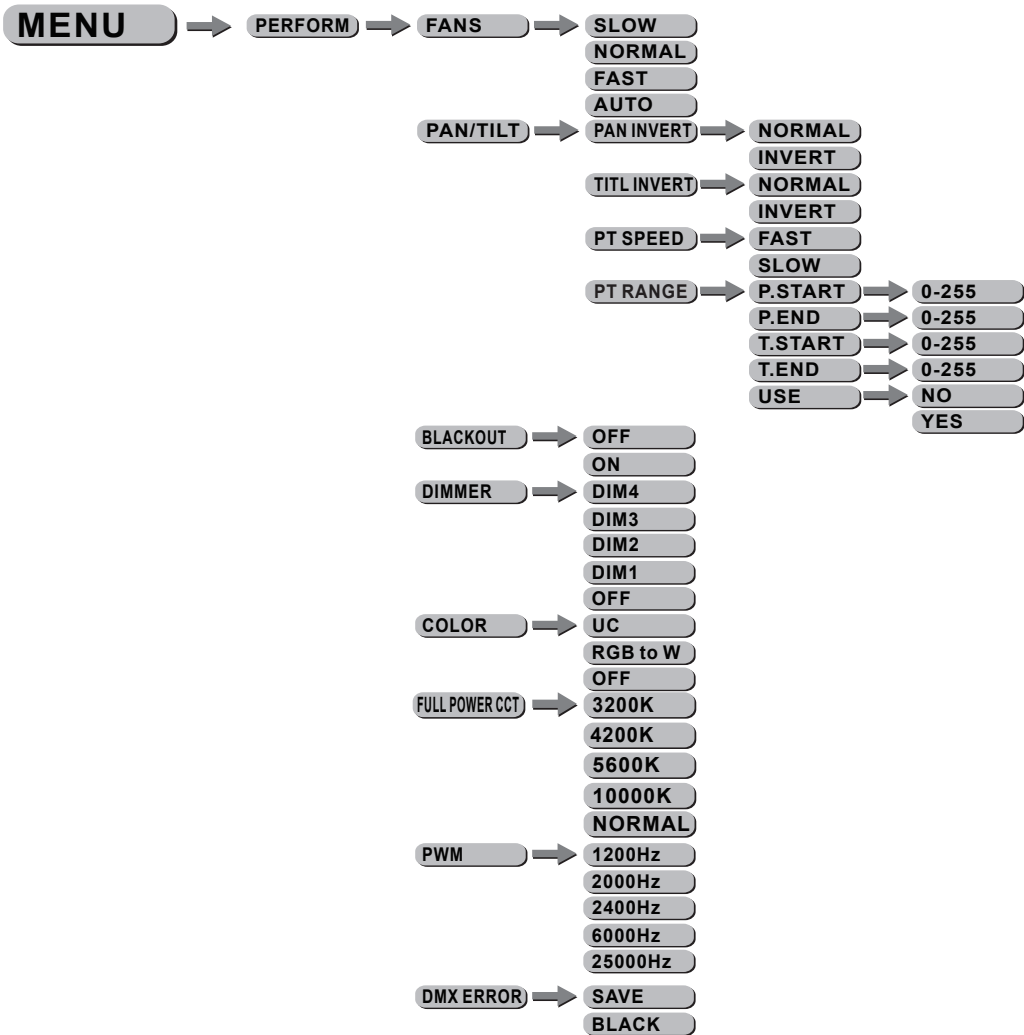
- Enter the **【DMX】** mode to set the DMX ADDRESS.

### 3.4 PERSONALITY

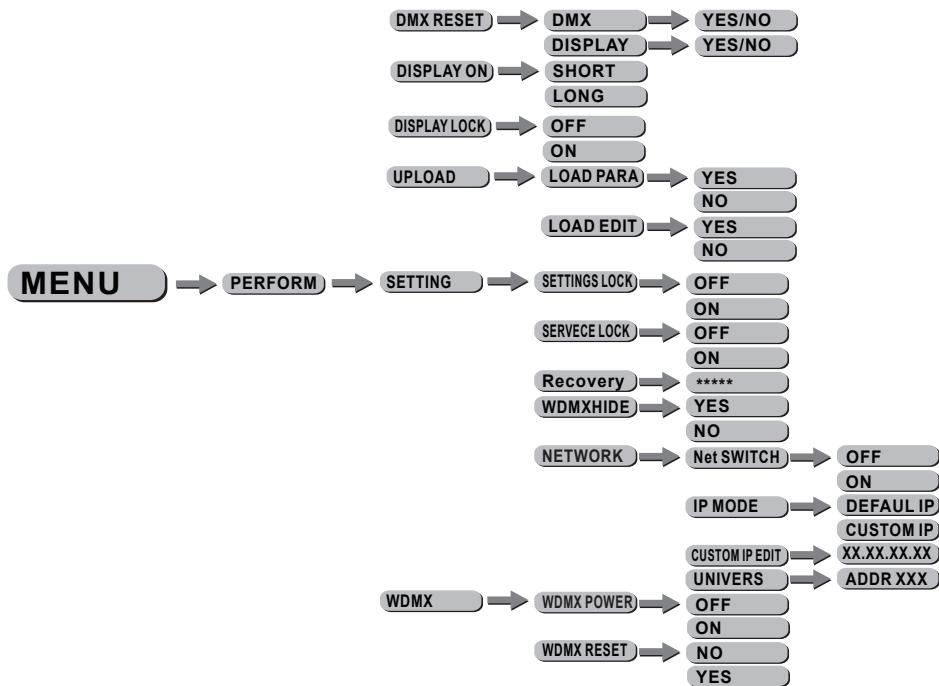


- Enter the **【PERSON】** mode to select DMX mode: **【HSIC】** , **【PERSON1】** , **【PERSON2】** , **【CMY】** , **【PIXEL】** ,

### 3.5 PERFORM



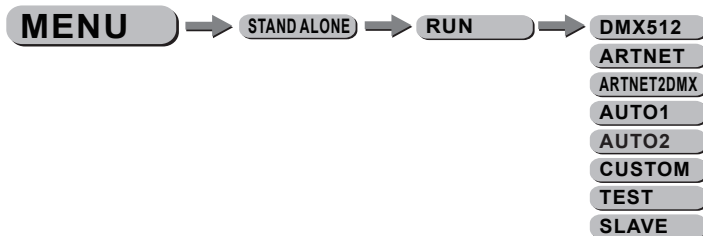




- **【FANS】** menu, select **【Slow/Norm/Fast/Auto】** as required fan speed.
- **【PAN INVERT】** menu, select **【NORM/INVERT】** for normal/inverted control of the PAN function
- **【TILT INVERT】** menu, select **【NORM/INVERT】** for normal/inverted control of the TILT function
- **【PT SPEED】** menu, select **【Slow/Fast】** as required PAN/TILT movement speed.
- **【BLACKD】** menu, select **【OFF】** for immediate activation of PAN/TILT blackout when selected using the control channel or **【ON】** for 3 second delay before activation.
- **【DIMMER】** menu for selection of **【DIM1/DIM2/DIM3/DIM4/OFF】** special dimming curves
- **【COLOR】** is for activate/unactivate the color calibration functions. When **[RGBtoW]** is selected, on RGB = 255,255,255, the color is displayed as calibrated in Service -- RGBtoW. When **[COLOR]** is set **[OFF]**, on RGB = 255,255,255, the RGB values are not adjusted and the output is most powerful. When **[UC]** is selected, the RGB output are adjusted to a standard preset universal color which balances fixtures from different generations.
- **【FULL POWER CCT】** is the color temperature choose bottom, press UP/DOWN to choose, under full power, <3200K>, <4200K>, <5600K>, <10000K> can be chosen, when choose <COLOR>, <3200K>, <4200K>, <5600K>, <10000K> are not work, but choose <NORMAL>.
- **【PWM】** is PWM refresh rate bottom, press UP/DOWN to choose <1200Hz>, <2000Hz>, <2400Hz>, <6000Hz>, <25000Hz>  
Note: with refresh rate increased, gray rate of dimmer will be reduced

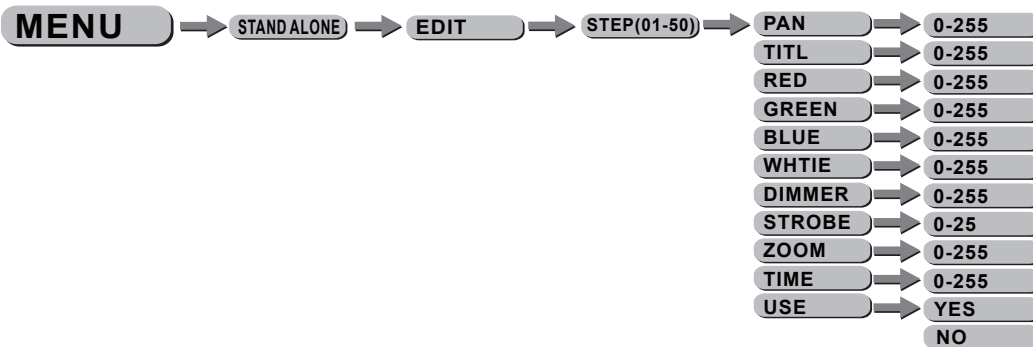
- **【DMXERROR】** menu, select **【SAVE】** to maintain last command in case of DMX error or **【BLACK】** for blackout
- **【DMXRESET】** menu, select **【DMX】** to allow remote reset using DMX controller or **【DISPLAY】** for reset only available at on-fixture display
- **【DISPLAY ON】** menu, select **【LONG/SHORT/DISPLAY LOCK】** for length of time for display backlight
- **【UPLOAD】** upload data setting, choose **【LOAD PARA】** to upload data, choose **【NO】** means do not upload data choose **【YES】** means upload data, choose **【LOAD EDIT】** to program, choose **【NO】** means do not upload, choose **【YES】** means upload
- **【SETTING】** is a protect bottom, **【 SETTINGS LOCK】** is the menu lock bottom, choose **【OFF】** means the menu lock bottom is off, choose **【ON】** means the menu lock bottom is on **【RECOVERY】** is the recover to default value. Press **【ENTER】** to password setting, press correct password **【UP+DOWN+UP+DOWN】** ,and press **【ENTER】** ,if password is correct, display will show **【OK】** ,
- **【NET SWITCH】** is net switch, OFF adhere to 2.XX.XX.XX , ON adhere to 2.XX.XX.XX, **【IP MODE】** is IP mode setting, "DEFAULT IP" is default IP, CUSTOM IP is user IP, **【CUSTOM IP SET】** is customer IP setting, **【UNIVERS】** is data bulk setting, output series 0-255
- **【WDMX】** setting , choose **【WDMX POWER】** to turn on/off the DMX , choose **【OFF】** to turn off it . **【ON】** to turn on it . Choose **【 WDMX RESET】** to reset the DMX , choose **【NO】** , then DMX will not reset , **【YES】** , then DMX will reset

### 3.6 RUN



- Enter the **【STAND ALONE】** menu to select from **【DMX512/ARTNET/ARTNET2DMX/AUTO 1/AUTO 2/CUSTOM/TEST/SLAVE】** run modes

### 3.7 EDIT



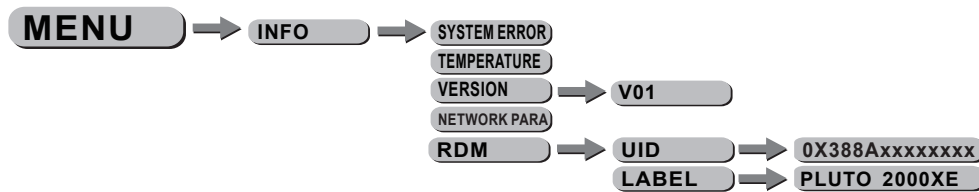
- Enter the **【 EDIT 】** mode to edit the custom programs by adjusting the value of **【 PAN 】** , **【 TILT 】** , **【 RED 】** , **【 GREEN 】** , **【 BLUE 】** , **【 WHITE 】** , **【 DIMMER 】** , **【 STROBE 】** , **【 ZOOM 】** , **【 TIME 】**
- Enter **【 USE 】** and select **【 YES 】** to run the steps user need.

**Note:** if user want to circulate the created steps, please set the last step ‘s **【 Time 】** as 0

For example, there are 3 steps, the setting should be like belowed:

Step 1 **【 Time 】** = 4    **【 Use 】** = Yes  
 Step 2 **【 Time 】** = 5    **【 Use 】** = Yes  
 Step 3 **【 Time 】** = 0    **【 Use 】** = Yes

### 3.8 INFO



- push **【 OK 】** button into the information search mode in menu **【 INFO 】** , push **【 up/down 】** to choose item.

Choose **【 SYSTEM ERROR 】** system data error .

Choose **【 TEMPERATURE 】** LED working temperature

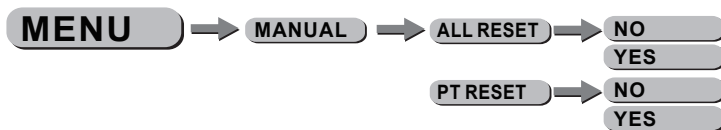
Choose **【 VERSION 】** software version

Choose **【 NETWORK PARA 】** check network specification

Choose **【 RDM 】** check the fixture ID

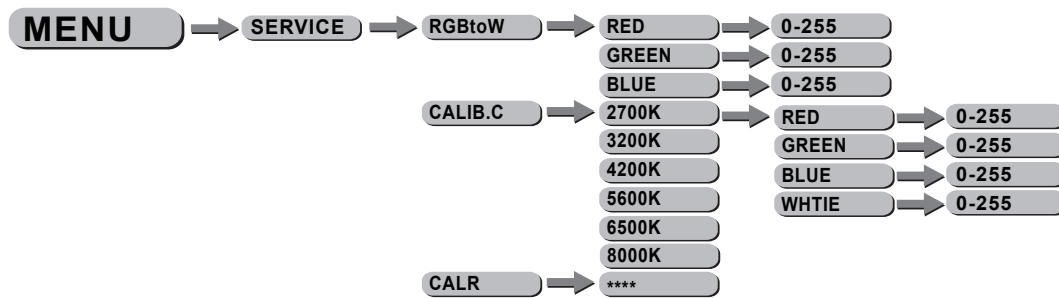
Choose **【 LABEL 】** check model name

### 3.9 MANUAL



- Select **【 RESET 】** from the **【 MANUAL 】** menu
- **【 ALL RESET 】** menu, select **【 YES/NO 】** to carry out full fixture reset
- **【 PT RESET 】** menu, select **【 YES/NO 】** to carry out PAN/TILT reset

### 3.10 SERVICE



Enter the **【RGBtoW】** to adjust the RGB parameter to make different whites.

When the new setting is activated, the DMX controller choose RGB = 255,255,255 the white color will be made by the actual RGB values on the **【RGBtoW】**.

Enter the **【CALIB】** to select white color of different color temperature.

There are 11 pre-programmed White colors plus RGB TO WHITE and can be edited by using **【RED】**, **【GREEN】**, **【BLUE】** & **【WHITE】**.

Press **【ENTER】** to find **【CALR】** CCT reset, press passcode (**Up +Down+ Up + Down**), then **【SUCCESS】** will be shown

# 4 USING A DMX512 CONTROLLER

## 4.1 CHANNEL ASSIGNMENT

- Note: This product have four DMX512 channel configuration: **【HSIC】** , **【PERSON1】** , **【PERSON2】** , **【CMY】** , **【PIXEL】** .

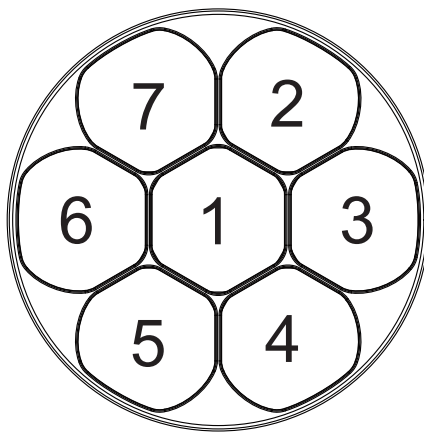
HSIC		
CHANNEL	VALUE	FUNCTION
1	0 ↔ 255	PAN
2	0 ↔ 255	PAN FINE
3	0 ↔ 255	TITL
4	0 ↔ 255	TITL FINE
5	0 ↔ 255	PT SPEED
6	0 ↔ 255	INTENSIYT
7	0 ↔ 255	HUE
8	0 ↔ 255	HUE FINE
9	0 ↔ 255	SATURATION
10		CCT
	0 ↔ 9	NO FUNCTION
	10 ↔ 40	2700K
	41 ↔ 80	3200K
	81 ↔ 120	4200K
	121 ↔ 160	5600K
	161 ↔ 200	6500K
	201 ↔ 255	8000K
11		STROBE
	0 ↔ 9	NO FUNCTION
	10 ↔ 99	STROBE FROM (SLOD TO FAST , 0-25Hz)
	100 ↔ 109	NO FUNCTION
	110 ↔ 179	LIGHTNING STROBE
	180 ↔ 189	NO FUNCTION
	190 ↔ 255	RANDOM SROBE
12	0 ↔ 255	ZOOM

CHANNEL	VALUE	FUNCTION
		CONTROL
	0 ↔ 9	NO FUNCTION
	10 ↔ 19	PAN/TILT BLACKACTIVATED
	20 ↔ 29	PAN/TILT BLACK DEACTIVATED
	30 ↔ 39	FAN SLOW
	40 ↔ 49	FAN NORMAL
	50 ↔ 59	FAN FAST
	60 ↔ 69	FAN AUTO
	70 ↔ 79	AUTO1
13	80 ↔ 89	AUTO2
	90 ↔ 99	CUSTOM
	100 ↔ 109	TEST
	110 ↔ 119	RESET
	120 ↔ 129	NO FUNCTION
	130 ↔ 139	DIM0
	140 ↔ 149	DIM1
	150 ↔ 159	DIM2
	160 ↔ 169	DIM3
	170 ↔ 179	DIM4
	180 ↔ 255	NO FUNCTION

**PERSON1**

CHANNEL	VALUE	FUNCTION	SINGLE POINT CONTROL FUNCTION
1	0 ↔ 255	PAN	
2	0 ↔ 255	TITL	
3	0 ↔ 255	RED	
4	0 ↔ 255	GREEN	
5	0 ↔ 255	BLUE	
6	0 ↔ 255	WHITE	
7	0 ↔ 255	DIMMER	
8		MARCOS	
	0 ↔ 9	NO FUNCTION	
	10 ↔ 29	RED 100% / GREEN UP / BLUE 0%	
	30 ↔ 49	RED DOWN / GREEN 100% / BLUE 0%	
	50 ↔ 69	RED 0% / GREEN 100% / BLUE UP	
	70 ↔ 89	RED 0% / GREEN DOWN / BLUE 100%	
	90 ↔ 109	RED UP / GREEN 0% / BLUE 100%	
	110 ↔ 129	RED 100% / GREEN 0% / BLUE DOWN	
	130 ↔ 149	RED 100% / GREEN UP / BLUE UP	
	150 ↔ 169	RED DOWN / GREEN DOWN / BLUE 100%	
	170 ↔ 189	ALL LED AT FULL OUTPUT	
	190 ↔ 199	2700K	
	200 ↔ 209	3200K	
	210 ↔ 219	4200K	
	220 ↔ 229	5600K	
	230 ↔ 239	6500K	
240 ↔ 255	8000K		
9		A SINGLE POINT	
	0 ↔ 7	NO FUNCTION	
	8 ↔ 11	static 1	1
	12 ↔ 15	static 2	2
	16 ↔ 19	static 3	3
	20 ↔ 23	static 4	4
	24 ↔ 27	static 5	5
	28 ↔ 31	static 6	6
	32 ↔ 35	static 7	7
	36 ↔ 39	static 8	2,3
	40 ↔ 43	static 9	4,5
	44 ↔ 47	static 10	6,7
	48 ↔ 51	static 11	2,5
	52 ↔ 55	static 12	3,6
	56 ↔ 59	static 13	4,7
	60 ↔ 63	static 14	2,3,4
64 ↔ 67	static 15	5,6,7	

CHANNEL	VALUE	FUNCTION	SINGLE POINT CONTROL FUNCTION
9	68 ↔ 71	static 16	1,2,3
	72 ↔ 45	static 17	1,4,5
	76 ↔ 79	static 18	1,6,7
	80 ↔ 83	static 19	1,2,5
	84 ↔ 87	static 20	1,3,6
	88 ↔ 91	static 21	1,4,7
	92 ↔ 95	static 22	3,5,7
	96 ↔ 99	static 23	5,6,7
	100 ↔ 103	static 24	1,3,5,7
	104 ↔ 107	static 25	1,5,6,7
	108 ↔ 111	static 26	1,2,4,5,7
	112 ↔ 115	static 27	1,2,3,5,6
	116 ↔ 119	static 28	1,3,4,6,7
	120 ↔ 123	static 29	2,3,4,5,6,7
	124 ↔ 127	black	DARK
	128 ↔ 135	static ALL	BRIGHT
	136 ↔ 145	RING1 slow-->fast	(2)-(3)-(4)-(5)-(6)-(7)
	146 ↔ 155	RING2A slow-->fast	(2,3)-(4,5)-(6,7)
	156 ↔ 165	RING2B slow-->fast	(2,5)-(3,6)-(4,7)
	166 ↔ 175	RING2C slow-->fast	(1,2)-(1,3)-(1,4)-(1,5)-(1,6)-(1,7)
	176 ↔ 185	RING3A slow-->fast	(2,3,4)-(5,6,7)
	186 ↔ 195	RING3B slow-->fast	(1,2,3)-(1,4,5)-(1,6,7)
	196 ↔ 205	RING3C slow-->fast	(1,2,5)-(1,3,6)-(1,4,7)
	206 ↔ 215	RING3D slow-->fast	(2,5,7)-(1,4,6)
	216 ↔ 225	RING3E slow-->fast	(2,3,4)-(3,4,5)-(4,5,6)-(5,6,7)-(6,7,2)-(7,2,3)
226 ↔ 235	RING4 slow-->fast	(1,2,3,5,6)-(1,3,4,6,7)-(1,4,5,7)	
236 ↔ 245	RING5 slow-->fast	(1,2,3,5,6)-(1,3,4,6,7)-(1,4,5,7,2)	
246 ↔ 255	GINR6 slow-->fast	(1)-(2,3,4,5,6,7)	



To identify up, middle and down by head which after the fixture electrify & reset

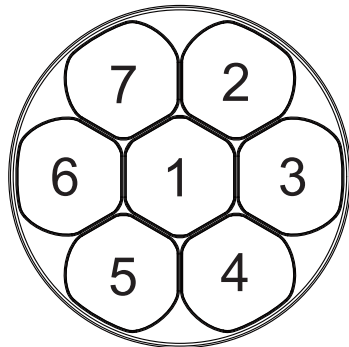


CHANNEL	VALUE	FUNCTION
10		STROBE
	0 ↔ 9	NO FUNCTION
	10 ↔ 99	STROBE FROM (SLOD TO FAST , 0-25Hz)
	100 ↔ 109	NO FUNCTION
	110 ↔ 179	LIGHTNING STROBE
	180 ↔ 189	NO FUNCTION
11	190 ↔ 255	RANDOM SROBE
	0 ↔ 255	ZOOM
12		CONTROL
	0 ↔ 9	NO FUNCTION
	10 ↔ 19	PAN/TILT BLACK ACTIVATED
	20 ↔ 29	PAN/TILT BLACK DEACTIVATED
	30 ↔ 39	FAN SLOW
	40 ↔ 49	FAN NORMAL
	50 ↔ 59	FAN FAST
	60 ↔ 69	FAN AUTO
	70 ↔ 79	AUTO1
	80 ↔ 89	AUTO2
	90 ↔ 99	CUSTOM
	100 ↔ 109	TEST
	110 ↔ 119	RESET
	120 ↔ 129	NO FUNCTION
	130 ↔ 139	DIM0
	140 ↔ 149	DIM1
	150 ↔ 159	DIM2
	160 ↔ 169	DIM3
170 ↔ 179	DIM4	
180 ↔ 255	NO FUNCTION	

**PERSON2**

<b>CHANNEL</b>	<b>VALUE</b>	<b>FUNCTION</b>	<b>SINGLE POINT CONTROL FUNCTION</b>
1	0 ↔ 255	PAN	
2	0 ↔ 255	PAN FINE	
3	0 ↔ 255	TITL	
4	0 ↔ 255	TITL FINE	
5	0 ↔ 255	PT SPEED	
6	0 ↔ 255	RED	
7	0 ↔ 255	RED FINE	
8	0 ↔ 255	GREEN	
9	0 ↔ 255	GREEN FINE	
10	0 ↔ 255	BLUE	
11	0 ↔ 255	BLUE FINE	
12	0 ↔ 255	WHTIE	
13	0 ↔ 255	WHTIE FINE	
14	0 ↔ 255	DIMMER	
15	0 ↔ 255	DIMMER FINE	
16		MARCOS	
	0 ↔ 9	NO FUNCTION	
	10 ↔ 29	RED 100% / GREEN UP / BLUE 0%	
	30 ↔ 49	RED DOWN / GREEN 100% / BLUE 0%	
	50 ↔ 69	RED 0% / GREEN 100% / BLUE UP	
	70 ↔ 89	RED 0% / GREEN DOWN / BLUE 100%	
	90 ↔ 109	RED UP / GREEN 0% / BLUE 100%	
	110 ↔ 129	RED 100% / GREEN 0% / BLUE DOWN	
	130 ↔ 149	RED 100% / GREEN UP / BLUE UP	
	150 ↔ 169	RED DOWN / GREEN DOWN / BLUE 100%	
	170 ↔ 189	ALL LED AT FULL OUTPUT	
	190 ↔ 199	2700K	
	200 ↔ 209	3200K	
	210 ↔ 219	4200K	
220 ↔ 229	5600K		
230 ↔ 239	6500K		
240 ↔ 255	8000K		
17		A SINGLE POINT	
	0 ↔ 7	NO FUNCTION	
	8 ↔ 11	static 1	1
	12 ↔ 15	static 2	2
	16 ↔ 19	static 3	3
	20 ↔ 23	static 4	4
	24 ↔ 27	static 5	5
	28 ↔ 31	static 6	6
32 ↔ 35	static 7	7	

CHANNEL	VALUE	FUNCTION	SINGLE POINT CONTROL FUNCTION
	36 ↔ 39	static 8	2,3
	40 ↔ 43	static 9	4,5
	44 ↔ 47	static 10	6,7
	48 ↔ 51	static 11	2,5
	52 ↔ 55	static 12	3,6
	56 ↔ 59	static 13	4,7
	60 ↔ 63	static 14	2,3,4
	64 ↔ 67	static 15	5,6,7
	68 ↔ 71	static 16	1,2,3
	72 ↔ 75	static 17	1,4,5
	76 ↔ 79	static 18	1,6,7
	80 ↔ 83	static 19	1,2,5
	84 ↔ 87	static 20	1,3,6
	88 ↔ 91	static 21	1,4,7
	92 ↔ 95	static 22	3,5,7
	96 ↔ 99	static 23	5,6,7
17	100 ↔ 103	static 24	1,3,5,7
	104 ↔ 107	static 25	1,5,6,7
	108 ↔ 111	static 26	1,2,4,5,7
	112 ↔ 115	static 27	1,2,3,5,6
	116 ↔ 119	static 28	1,3,4,6,7
	120 ↔ 123	static 29	2,3,4,5,6,7
	124 ↔ 127	black	DARK
	128 ↔ 135	static ALL	BRIGHT
	136 ↔ 145	RING1 slow-->fast	(2)-(3)-(4)-(5)-(6)-(7)
	146 ↔ 155	RING2A slow-->fast	(2,3)-(4,5)-(6,7)
	156 ↔ 165	RING2B slow-->fast	(2,5)-(3,6)-(4,7)
	166 ↔ 175	RING2C slow-->fast	(1,2)-(1,3)-(1,4)-(1,5)-(1,6)-(1,7)
	176 ↔ 185	RING3A slow-->fast	(2,3,4)-(5,6,7)
	186 ↔ 195	RING3B slow-->fast	(1,2,3)-(1,4,5)-(1,6,7)
	196 ↔ 205	RING3C slow-->fast	(1,2,5)-(1,3,6)-(1,4,7)
	206 ↔ 215	RING3D slow-->fast	(2,5,7)-(1,4,6)
	216 ↔ 225	RING3E slow-->fast	(2,3,4)-(3,4,5)-(4,5,6)-(5,6,7)-(6,7,2)-(7,2,3)
	226 ↔ 235	RING4 slow-->fast	(1,2,3,5,6)-(1,3,4,6,7)-(1,4,5,7)
	236 ↔ 245	RING5 slow-->fast	(1,2,3,5,6)-(1,3,4,6,7)-(1,4,5,7,2)
	246 ↔ 255	GINR6 slow-->fast	(1)-(2,3,4,5,6,7)

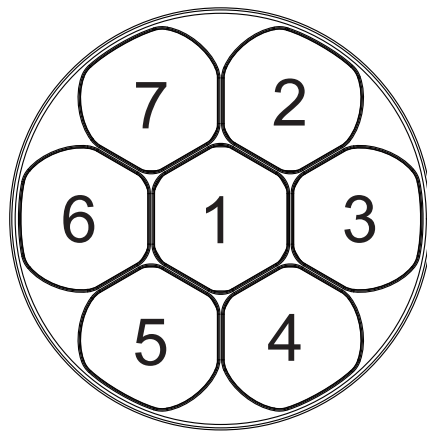


To identify up, middle and down by head which after the fixture electrify & reset

CHANNEL	VALUE	FUNCTION
18		STROBE
	0 ↔ 9	NO FUNCTION
	10 ↔ 99	STROBE FROM (SLOD TO FAST , 0-25Hz)
	100 ↔ 109	NO FUNCTION
	110 ↔ 179	LIGHTNING STROBE
	180 ↔ 189	NO FUNCTION
19	190 ↔ 255	RANDOM SROBE
	0 ↔ 255	ZOOM
20		CONTROL
	0 ↔ 9	NO FUNCTION
	10 ↔ 19	PAN/TILT BLACK ACTIVATED
	20 ↔ 29	PAN/TILT BLACK DEACTIVATED
	30 ↔ 39	FAN SLOW
	40 ↔ 49	FAN NORMAL
	50 ↔ 59	FAN FAST
	60 ↔ 69	FAN AUTO
	70 ↔ 79	AUTO1
	80 ↔ 89	AUTO2
	90 ↔ 99	CUSTOM
	100 ↔ 109	TEST
	110 ↔ 119	RESET
	120 ↔ 129	NO FUNCTION
	130 ↔ 139	DIM0
	140 ↔ 149	DIM1
	150 ↔ 159	DIM2
	160 ↔ 169	DIM3
170 ↔ 179	DIM4	
180 ↔ 255	NO FUNCTION	

<b>CMY</b>			
<b>CHANNEL</b>	<b>VALUE</b>	<b>FUNCTION</b>	<b>SINGLE POINT CONTROL FUNCTION</b>
1	0 ↔ 255	PAN	
2	0 ↔ 255	PAN FINE	
3	0 ↔ 255	TITL	
4	0 ↔ 255	TITL FINE	
5	0 ↔ 255	PT SPEED	
6	0 ↔ 255	CYAN	
7	0 ↔ 255	MAGENT	
8	0 ↔ 255	YELLOW	
9	0 ↔ 255	DIMMER	
10		MARCOS	
	0 ↔ 9	NO FUNCTION	
	10 ↔ 29	RED 100% / GREEN UP / BLUE 0%	
	30 ↔ 49	RED DOWN / GREEN 100% / BLUE 0%	
	50 ↔ 69	RED 0% / GREEN 100% / BLUE UP	
	70 ↔ 89	RED 0% / GREEN DOWN / BLUE 100%	
	90 ↔ 109	RED UP / GREEN 0% / BLUE 100%	
	110 ↔ 129	RED 100% / GREEN 0% / BLUE DOWN	
	130 ↔ 149	RED 100% / GREEN UP / BLUE UP	
	150 ↔ 169	RED DOWN / GREEN DOWN / BLUE 100%	
	170 ↔ 189	ALL LED AT FULL OUTPUT	
	190 ↔ 199	2700K	
	200 ↔ 209	3200K	
	210 ↔ 219	4200K	
	220 ↔ 229	5600K	
	230 ↔ 239	6500K	
240 ↔ 255	8000K		
11		A SINGLE POINT	
	0 ↔ 7	NO FUNCTION	
	8 ↔ 11	static 1	1
	12 ↔ 15	static 2	2
	16 ↔ 19	static 3	3
	20 ↔ 23	static 4	4
	24 ↔ 27	static 5	5
	28 ↔ 31	static 6	6
	32 ↔ 35	static 7	7
	36 ↔ 39	static 8	2,3
	40 ↔ 43	static 9	4,5
	44 ↔ 47	static 10	6,7
	48 ↔ 51	static 11	2,5
	52 ↔ 55	static 12	3,6
	56 ↔ 59	static 13	4,7
	60 ↔ 63	static 14	2,3,4
64 ↔ 67	static 15	5,6,7	

CHANNEL	VALUE	FUNCTION	SINGLE POINT CONTROL FUNCTION
	68 ↔ 71	static 16	1,2,3
	72 ↔ 45	static 17	1,4,5
	76 ↔ 79	static 18	1,6,7
	80 ↔ 83	static 19	1,2,5
	84 ↔ 87	static 20	1,3,6
	88 ↔ 91	static 21	1,4,7
	92 ↔ 95	static 22	3,5,7
	96 ↔ 99	static 23	5,6,7
	100 ↔ 103	static 24	1,3,5,7
	104 ↔ 107	static 25	1,5,6,7
	108 ↔ 111	static 26	1,2,4,5,7
	112 ↔ 115	static 27	1,2,3,5,6
	116 ↔ 119	static 28	1,3,4,6,7
	120 ↔ 123	static 29	2,3,4,5,6,7
11	124 ↔ 127	black	DARK
	128 ↔ 135	static ALL	BRIGHT
	136 ↔ 145	RING1 slow-->fast	(2)-(3)-(4)-(5)-(6)-(7)
	146 ↔ 155	RING2A slow-->fast	(2,3)-(4,5)-(6,7)
	156 ↔ 165	RING2B slow-->fast	(2,5)-(3,6)-(4,7)
	166 ↔ 175	RING2C slow-->fast	(1,2)-(1,3)-(1,4)-(1,5)-(1,6)-(1,7)
	176 ↔ 185	RING3A slow-->fast	(2,3,4)-(5,6,7)
	186 ↔ 195	RING3B slow-->fast	(1,2,3)-(1,4,5)-(1,6,7)
	196 ↔ 205	RING3C slow-->fast	(1,2,5)-(1,3,6)-(1,4,7)
	206 ↔ 215	RING3D slow-->fast	(2,5,7)-(1,4,6)
	216 ↔ 225	RING3E slow-->fast	(2,3,4)-(3,4,5)-(4,5,6)-(5,6,7)-(6,7,2)-(7,2,3)
	226 ↔ 235	RING4 slow-->fast	(1,2,3,5,6)-(1,3,4,6,7)-(1,4,5,7)
	236 ↔ 245	RING5 slow-->fast	(1,2,3,5,6)-(1,3,4,6,7)-(1,4,5,7,2)
	246 ↔ 255	GINR6 slow-->fast	(1)-(2,3,4,5,6,7)



To identify up, middle and down by head which after the fixture electrify & reset

CHANNEL	VALUE	FUNCTION
12		STROBE
	0 ↔ 9	NO FUNCTION
	10 ↔ 99	STROBE FROM (SLOD TO FAST , 0-25Hz)
	100 ↔ 109	NO FUNCTION
	110 ↔ 179	LIGHTNING STROBE
	180 ↔ 189	NO FUNCTION
13	190 ↔ 255	RANDOM SROBE
	0 ↔ 255	ZOOM
14		CONTROL
	0 ↔ 9	NO FUNCTION
	10 ↔ 19	PAN/TILT BLACK ACTIVATED
	20 ↔ 29	PAN/TILT BLACK DEACTIVATED
	30 ↔ 39	FAN SLOW
	40 ↔ 49	FAN NORMAL
	50 ↔ 59	FAN FAST
	60 ↔ 69	FAN AUTO
	70 ↔ 79	AUTO1
	80 ↔ 89	AUTO2
	90 ↔ 99	CUSTOM
	100 ↔ 109	TEST
	110 ↔ 119	RESET
	120 ↔ 129	NO FUNCTION
	130 ↔ 139	DIM0
	140 ↔ 149	DIM1
	150 ↔ 159	DIM2
	160 ↔ 169	DIM3
170 ↔ 179	DIM4	
180 ↔ 255	NO FUNCTION	