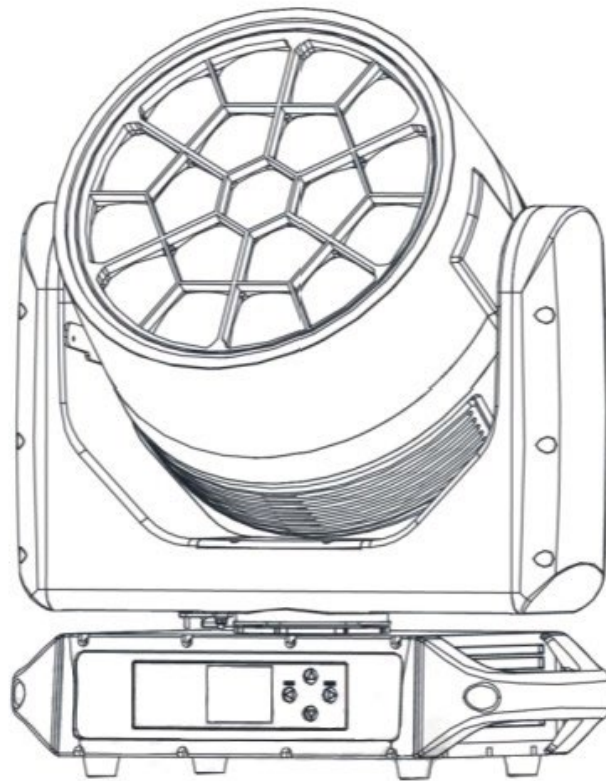


NW8

LEDMOV710

USER MANUAL

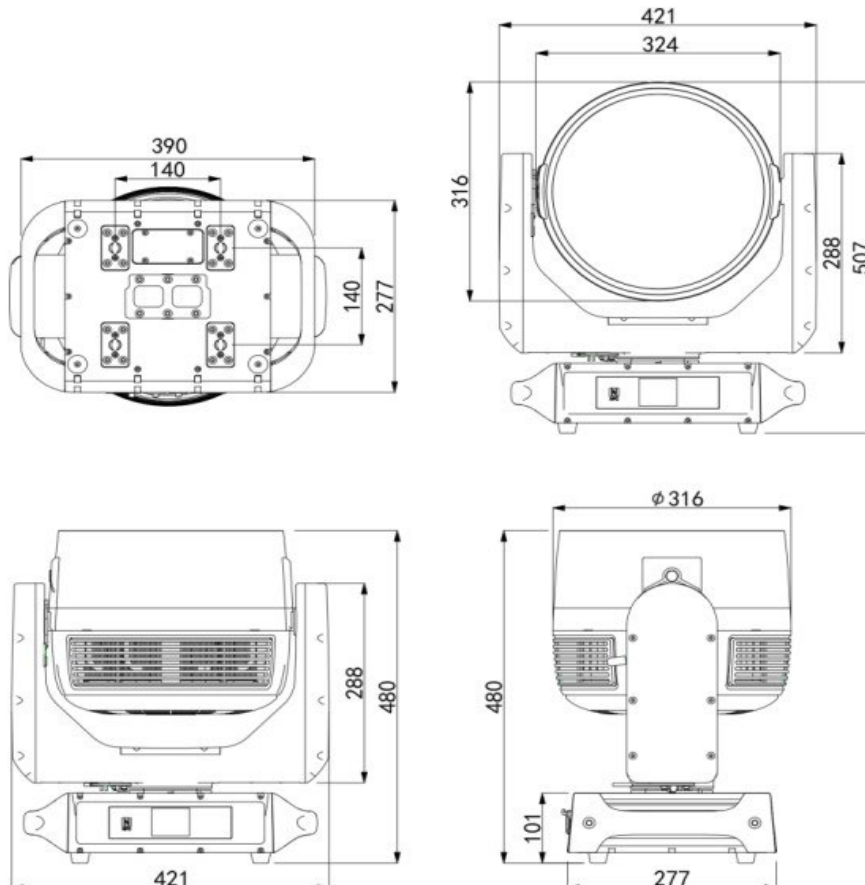


1 PRODUCT

1.1 TECHNICAL SPECIFICATIONS

Fixture Name	NW8
Light Source	19 x 50w RGLB LED + RGB Ring + RGB Mask
Angle	Beam Angle: 3.5°~ 38°, Field Angle: 6°~ 60°
Power Consumption	1000w
Control Protocols	DMX512, RDM, Artnet, sACN, NFC
Voltage Range	AC100~240V,50/60Hz
Current	220V/3.3A
IP Rating	IP65
Operation Temperature	-20° to 45°
Dimensions	421 x 277 x 480mm
Weight	21.6kg

DIMENSIONS



1.2 Safety Notes

IMPORTANT

- Fixture must be installed by an experienced professional.
- To maintain the condition and to ensure safe operation, follow the safety instructions and warning notes outlined in this manual.
- The manufacturer is not liable for any damage caused by the operator not abiding to the manual or any modification made to this device.

CAUTION!

- Make sure that the voltage supplied to the fixture is not higher than stated on the rear panel.
- Do not handle the power cable with wet hands.
- The earth wire must always be connected to ground. It is essential to connect the yellow/green conductor to earth.
- Make sure that the power cord is not damaged by sharp objects or serrated edges, or beyond the minimum bend radius, or crushed. Check the device and the power cord before operation. The electrical connection, repairs and servicing of this fixture must be carried out by a qualified person and to Australian/New Zealand Standards.
- Always disconnect the power input cable to completely remove power from unit when not in use or before cleaning or servicing of the fixture.
- Do not power cycle the fixture in short intervals as this could affect the fixture's life span.
- Do not touch the device's housing with bare hands during operation. The surface of the casing can reach up to 65°C during operation.
- Make sure no materials are in contact with the fixture. Ensure the product is in a location where there is no risk of accidental contact.
- Allow the fixture to cool for at least 10 minutes before handling.
- If replacing lamps and fuses, use replacements of the same type and rating only.
- To avoid damage during transportation and installation, use appropriate casing and protection. If there is any damage to the coating, the shell may corrode.
- Before hanging the fixture verify hanging points and ensure they can support the weight. Ensure the hook clamps or couplers can bear at least 10 times the weight of the fixture.
- Ensure the fixture has a safety cable and that it is attached correctly. Please follow the illustrations in this manual. Before use, check that the housing is firmly closed, and all screws are fastened to correct torque.
- The maximum ambient temperature for operation is 45°C. Do not operate the product if the ambient temperature (T_a) exceeds 45° C.
- During the first start-up, some smoke may appear, or a smell may be present. This is a normal process and does not necessarily mean that the device is defective.

Electrical Warning

- The light source contained in this luminaire shall only be replaced by the manufacturer, service agent, or a similarly qualified person.
- When replacing fuses, replacements must be the same type and rating.
- The lens must be replaced if damaged to ensure the fixtures function is not impaired e.g. cracks or deep scratches.

Keep the product away from flammable materials

- Keep all combustible materials (fabric, wood, paper etc) at least 20m away from the fixture.
- Ensure that there is adequate and unobstructed airflow into the product. Provide a minimum clearance of 500mm around fans and air vents.
- Do not illuminate surfaces within 20m of the product.
- Do not install a fuse that has a higher rating than the original installed. Under no circumstances bypass fuses.
- Do not install filters, masks, or any other materials onto optical components.
- If the fixture seems to be abnormally hot, shows signs of melting or emits smoke, disconnect the fixture from power immediately and allow it to cool. Do not touch the fixture without appropriate PPE. Keep the fixture well away from combustible and flammable materials.

NEVER LOOK DIRECTLY INTO THE LIGHT SOURCE RETINA INJURY RISK - MAY INDUCE BLINDNESS

Do not point the optics of the fixture towards the sun or other strong light sources. The lens focuses and concentrates light like a magnifying glass and can cause internal damage to the fixture and could melt components or start an internal fire within seconds.

To avoid problems from strong light sources:

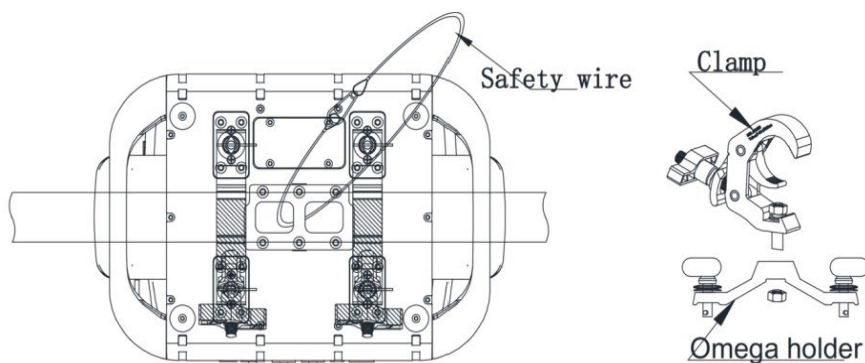
- Do not focus beams from one fixture directly into another fixture.
- For outdoor applications ensure that the fixture's optics is pointed away and shielded from sunlight even when not in use.
- Do not expose the product to excess heat from other lighting fixtures.

2 INSTALLATION

2.1 Mounting

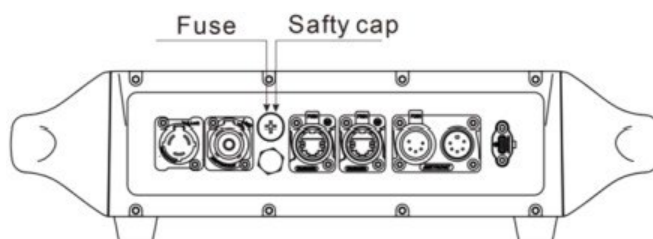
Truss installation

- ◆ Keep all combustible materials (fabric, wood, paper etc) at least 500mm away from the product.
- ◆ For overhead use, always install a safety cable that can hold at least 10 times the weight of the fixture.
- ◆ Secure the fixture with a safety cable through the rear safety eye and truss as illustrated.
- ◆ Ensure that the structure to which you are attaching the fixture to is secure and load bearing.



2.2 Fuse replacement

- ◆ Remove the safety cap using a screwdriver.
- ◆ Remove the old fuse from the safety cap.
- ◆ Install a new fuse.
- ◆ Reinstall the safety cap.



2.3 Power Connections

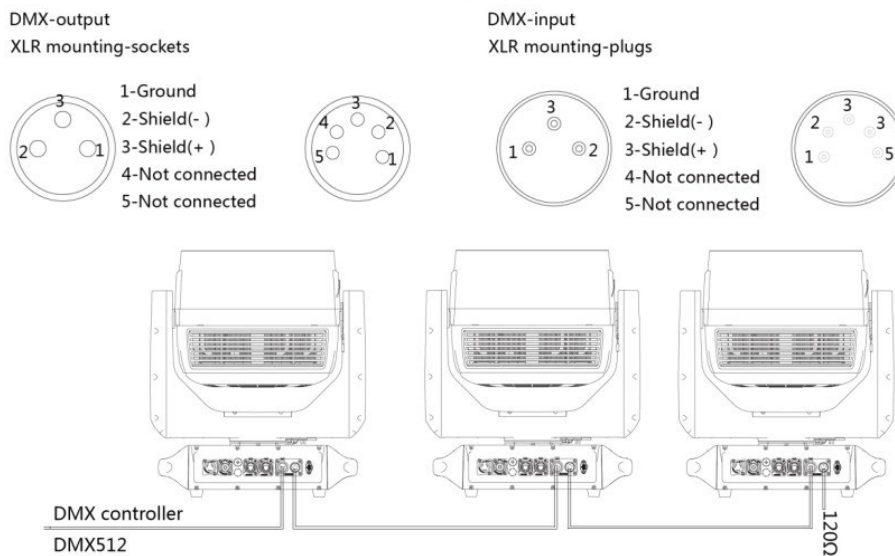
- ◆ This product has an auto-ranging power supply that can work with an input voltage range of 100–240 VAC, 50/60 Hz.

AC Plug

Connection	Wire Colour	Screw Colour
AC Live	Brown	Yellow/Brass
AC Neutral	Blue	Silver
AC Ground	Striped Green/Yellow	Green

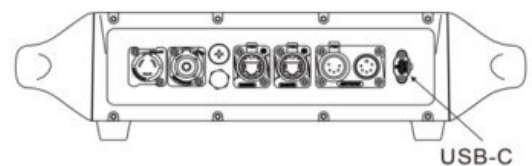
2.4 DMX512 Requirements

- ◆ Connect a DMX512 cable from the output of a controller or console to the first unit. The fixture has 3/5-pin XLR connectors for DMX data input and output.
- ◆ Connect the DMX-output of the first fixture in line with the DMX-input of the next fixture and repeat until all fixtures are connected.
- ◆ DMX footprint is dependant on the mode that the fixture is running. For separate control of fixtures addressing should increase by 1 after channel footprint.
- ◆ DMX addressing starts at 1 and must be contained under 512.
- ◆ It is recommended to use a DMX terminator (120Ω) in the last fixture in line. This is especially relevant for long runs or lines with a large quantity of fixtures on a single line. Please refer to USITT DMX512 loading designation.



2.5 Update Firmware

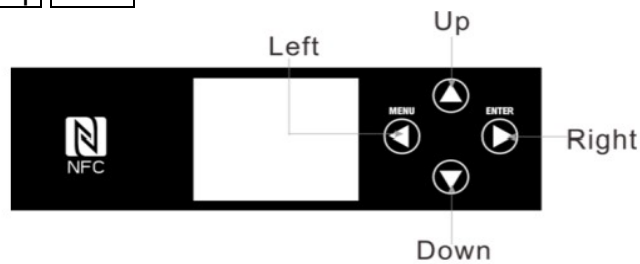
- ◆ Updating firmware with USB-C interface:
 1. Insert USB-C U dish into USB-C interface.
 2. Find "Upgrade Software" in the menu. Select the correct firmware to upload and click OK.



3 FUNCTIONS AND SETTINGS

3.1 Display Navigation

- ◆ Left (menu): Accesses the menu or returns to a previous menu option.
- ◆ Right (enter): Selects, stores or confirms the current function, value or option highlighted in the menu.
- ◆ Up: Navigates upwards through the menu list. Increases the numeric value when in a selected function.
- ◆ Down: Navigates downwards through the menu list. Decreases the numeric value when in a selected function.
- ◆ To unlock the display:
Hold the enter button for 5 seconds until the enter password prompt appears. Enter the password- **Up Down Up Down**



3.2 Menu Map

ADDRESS	001 – 512(Default 001)		DMX address setting
PERSON	HSIC		Use the menu to select desired channel mode
	SSP		
	TOUR(Default)		
	TR16		
	CMY		
	PIXEL		
RUNMODE	DMX512 (Default)		Select Signal Input Default: DMX512 CUSTOM 1-2 Set up get into EDIT MENU
	ARTNET		
	ARTNET2DMX		
	sACN		
	AUTO		
	CUSTOM1		
	CUSTOM2		
OPTION	PAN INVERT	NORMAL (Default)	PAN moving direction selection
		INVERT	
	TILT INVERT	NORMAL(Default)	TILT moving direction selection
		INVERT	
	PERFORM	STUDIO	Slow RPM Fan mode
		POWER	High RPM Fan mode, all power
		LIVE (Default)	Automatic rotation of fan
	BLACKOUT	OFF (Default)	Select OFF blackout without delay
		ON	Select ON blackout delay 3s
	PT ENCODER	OFF(Default)	XY Encoder switch. OFF is close; ON is open.
		ON	
	DIMMER	DIM4 (Default)	Dimming speed OFF (fast) to DIM4 (slow) ;
		OFF	
	DIMMER CURVE	LINEAR	Dimmer curves selection
SQUARE LAW(Default)			
INV. SQUARE LAW			
S-CURVE			

LED PWM	1200Hz (Default)		Sets the PWM frequency	
	2400Hz			
	4000Hz			
	6000Hz			
	25000Hz			
DMX ERROR	SAVE (Default)		DMX Hold after signal loss	
	BLACK		Blackout after signal loss	
DISPLAY TIME	On		Display is always on	
	30s		Turns off display after 30s/1min/2min of inactivity	
	1min (Default)			
	2min			
DISPLAY LOCK	OFF		Locks display (passcode is <input type="text" value="UP"/> , <input type="text" value="DOWN"/> , <input type="text" value="DOWN"/> , <input type="text" value="ENTER"/>)	
	ON (Default)			
LOAD PARA	OFF(Default)		Upload data	
	ON		Disables upload data	
SETTING	RECOVERY	****	Restore default factory settings.	
	CLEAN EDIT1	****	Clean customer self-editing scene 1	
	CLEAN EDIT2	****	Clean customer self-editing scene 2	
	WDMX HIDE	YES		Hide wireless mode, WDMX reset and hide signal. Default is wired mode
NO				
Colour Cali	OFF (Default)		Full power mode	
	User Calibration	RED	0-255	Manual calibration mode
		GREEN	0-255	
		BLUE	0-255	
		LIME	0-255	
Factory Calibration		Factory calibration mode		
WDMX RESET	YES		Do not clear the receiver's message.	
	NO		Clear the receiver's message	
SIGNAL	ONLY XLRDMX(Default)		ONLY XLR	
	ONLY WDMX		ONLY WDMX	
	WDMX TO XLRDMX		Wireless to wired	

	NETWORK	NET SWITCH	2.xxx.xxx.xxx/ 10.xxx.xxx.xxx		Net switch off IP mode	
		UNIVERSE	0-255		Packet group Settings	
		IP MODE	DEFAULT IP		Default IP	
			CUSTOM IP		Customer's IP	
		CUSTOM IP	XX.XX.XX.XX		Customer's IP setting	
	WIRELESS	WIFI	WIFIMODE	STATION	WiFi settings	
				AP		
				SMART		
			SSID	YJSS9681		
			PASSWORD	yj000001		
			LOCAL IP	xxx:xxx:xxx:xxx		
			REMOTE_IP	xxx:xxx:xxx:xxx		
			MAC	xx:xx:xx:xx:xx:xx		
			WIFI RESTART	NO		
				YES		
WIFI DEFAULT		NO				
		YES				
BLUETOOTH	MAC	xx:xx:xx:xx:xx:xx	Bluetooth Settings			
	NAME	YJSS9681				
LANGUAGE	****	Chinese		LANGUAGE		
		English(Default)				
EDIT	EDIT 1-2	STEP 1-30	PAN	0-255	Edit the custom programs1-30 Select play 【EDIT 1】 in RUNMOEDE CUSTOM 1; Select play 【EDIT 2】 in RUNMODE CUSTOM 2	
			TITL	0-255		
			ZOOM	0-255		
			RED	0-255		
			GREEN	0-255		
			BLUE	0-255		
			LIME	0-255		
			STROBE	0-255		
			PRESET COLOUR	0-255		
			CCT	0-255		
			STATIC PIXEL	0-255		
			PIXEL EFFECT	0-255		
			RING RED	0-255		
			RING GREEN	0-255		
			RING BLUE	0-255		

		TIME	0-255		
		USE	YES/NO	Select YES to run the steps user need.	
MANUAL	Auto Test			Auto Test channel	
	CHANNEL	PAN	0-255	Manual control channel	
		TITL	0-255		
		ZOOM	0-255		
		RED	0-255		
		GREEN	0-255		
		BLUE	0-255		
		LIME	0-255		
		STROBE	0-255		
		PRESET COLOUR	0-255		
		CCT	0-255		
		STATIC PIXEL	0-255		
		PIXEL EFFECT	0-255		
		RING RED	0-255		
		RING GREEN	0-255		
		RING BLUE	0-255		
	CCT	1800K			Preset colour temperatures
		2200K			
		2700K			
		3000K			
		3200K			
		4000K			
		4500K			
		5000K			
		5600K			
		6000K			
		6500K			
		7000K			
8000K					

		10000K			
	PRESET COLOUR	COLOUR 1		Preset colour(See Annex I for details)	
		COLOUR 2			
		...			
		COLOUR 24			
	CMY	CYAN		Cyan, Magenta, Yellow	
		MAGENTA			
		YELLOW			
		C+M			
		C+Y			
		M+Y			
	DEBUG HIDE	NO		Factory testing mode. All stepper motors are not controlled by signal. Motors only work after the reset.	
		YES			
	RESET	ALL RESET		Select Yes/No to carry out all reset	
		PT RESET		Select Yes/No to carry out P/T reset	
		OTHER		Zoom/ Focus/ Prism reset	
SERVICE	****	PAN	±127	Pan position fine adjustment	
		TILT	±127	Tilt position fine adjustment	
		ZOOM	±127	Zoom position fine adjustment	
INFO	FIXTURE HOURS		Hours of fixture use		
	LED USE HOURS		LED use time		
	TEMPERATURE		LED temperature		
	VERSION		Software versions		
	RDM	UID	0x388Axxxxxxx		Check fixture's ID
		LABEL			Check fixture's LABEL
	SYSTEM ERROR	MEMORY IC		Memory IC	
		ANGLESENSOR		Angle Sensor	
PAN SENSOR		Pan Sensor			
PAN ENCODER		Pan Encoder			

	PAN DRIVEIC	Pan Drive IC
	TILT SENSOR	Tilt Sensor
	TILT ENCODER	Tilt Encoder
	TILT DRIVEIC	Tilt Drive IC
	TEMPERATURE	Temperature
UPDATE SOFTWARE		USB-C Update software
All passwords of this product are: <input type="text" value="UP"/> <input type="text" value="DOWN"/> <input type="text" value="UP"/> <input type="text" value="DOWN"/> <input type="text" value="ENTER"/>		

4 . DMX Channels

HSIC (27CH)	Value	Function
1	0-255	PAN
2	0-255	PAN FINE
3	0-255	TILT
4	0-255	TILT FINE
5	0-255	P/T SPEED
6	0-255	INTENSITY
7	0-255	HUE
8	0-255	HUE FINE
9	0-255	SATURATION
10	CCT	
	0-9	NO FUNCTION
	10	1800K
	25	2200K
	40	2700K
	55	3000K
	70	3200K
	85	4000K
	100	4500K
	115	5000K
	130	5600K
	145	6000K
	160	6500K
	175	7000K
	190	8000K
	205	10000K
255	10000K	
11	STROBE	
	0-9	NO FUNCTION
	10-99	STROBE FROM (SLOW TO FAST , 0-25Hz)
	100-109	NO FUNCTION
	110-179	LIGHTNING STROBE
	180-189	NO FUNCTION
190-255	RANDOM STROBE	
12	0-255	ZOOM
13	0-255	RED (Face mask light strip)
14	0-255	GREEN (Face mask light strip)

15	0-255	BLUE (Face mask light strip)
16	Face mask light strip Colour Presets	
	000-009	Open
	010-014	RED
	015-019	GREEN
	020-024	BLUE
	025-029	Yellow
	030-034	Magenta
	035-039	Cyan
	040-044	WHITE
	045-049	Violet blue
	050-054	Light blue
	055-059	Wine red
	060-064	May green
	065-069	Reseda green
	070-074	Blue lilac
	075-079	Moss green
	080-084	Signal violet
	085-089	Red lilac
	090-094	Purple red
	095-099	Green brown
	100-104	Pale green
	105-109	Ruby red
	110-114	Flame red
	115-119	Red orange
	120-124	Rose
	125-129	Honey yellow
130-134	Light Pink	
135-139	Deep orange	
140-144	Lemon	
145-149	Golden yellow	
150-154	Pastel orange	
155-159	Cream	
160-164	Melon yellow	
165-169	Luminous orange	
170-174	Luminous Yellow	
175-179	Open	

	180-248	Stop
	249-255	Open
17	Colour FX (Face mask light strip)	
	0-10	Open
	11-20	FX1 (Associated with CH13-CH15)
	21-30	FX2 (Associated with CH13-CH15)
	31-40	FX3 (Associated with CH13-CH15)
	41-50	FX4 (Associated with CH13-CH15)
	51-60	FX5 (Associated with CH13-CH15)
	61-70	FX6 (Associated with CH13-CH15)
	71-80	FX7 (Associated with CH13-CH15)
	81-90	FX8 (Associated with CH13-CH15)
	91-100	FX9 (Associated with CH13-CH15)
	101-110	FX10 (Associated with CH13-CH15)
	111-120	FX11 (Associated with CH13-CH15)
	121-130	FX12
	131-140	FX13
	141-150	FX14
	151-160	FX15
	161-170	FX16
	171-180	FX17
	181-190	FX18
191-200	FX19	
201-210	FX20	
211-255	Open	
18	0-255	Face mask light strip speed(SPEED 1 → 100%)
19	0-255	Face mask light strip Dimmer
20	0-255	RED RING (RGB ring)
21	0-255	GREEN RING (RGB ring)
22	0-255	BLUE RING (RGB ring)
23	Ring Colour Presets (RGB ring)	
	000-009	Open
	010-014	RED
	015-019	GREEN
	020-024	BLUE
	025-029	Yellow
	030-034	Magenta
035-039	Cyan	

040-044	WHITE
045-049	Violet blue
050-054	Light blue
055-059	Wine red
060-064	May green
065-069	Reseda green
070-074	Blue lilac
075-079	Moss green
080-084	Signal violet
085-089	Red lilac
090-094	Purple red
095-099	Green brown
100-104	Pale green
105-109	Ruby red
110-114	Flame red
115-119	Red orange
120-124	Rose
125-129	Honey yellow
130-134	Light Pink
135-139	Deep orange
140-144	Lemon
145-149	Golden yellow
150-154	Pastel orange
155-159	Cream
160-164	Melon yellow
165-169	Luminous orange
170-174	Luminous yellow
175-179	Open
180-248	Stop
249-255	Open
Colour FX (RGB ring)	
0-10	Open
11-20	FX1 (Associated with CH20-CH22)
21-30	FX2 (Associated with CH20-CH22)
31-40	FX3 (Associated with CH20-CH22)
41-50	FX4 (Associated with CH20-CH22)
51-60	FX5 (Associated with CH20-CH22)
61-70	FX6 (Associated with CH20-CH22)
71-80	FX7 (Associated with CH20-CH22)
81-90	FX8 (Associated with CH20-CH22)

24

	91-100	FX9 (Associated with CH20-CH22)
	101-110	FX10 (Associated with CH20-CH22)
	111-120	FX11 (Associated with CH20-CH22)
	121-130	FX12
	131-140	FX13
	141-150	FX14
	151-160	FX15
	161-170	FX16
	171-180	FX17
	181-190	FX18
	191-200	FX19
	201-210	FX20
	211-255	Open
25	0-255	Ring Speed(SPEED 1 → 100%)
26	0-255	Ring Dimmer (RGB ring)
27	CONTROL (EXECUTE AFTER 3 SECONDS)	
	0-10	NO FUNCTION
	11-20	PAN/TILT BLACK ACTIVATED
	21-30	PAN/TILT BLACK DEACTIVATED
	31-40	PAN INVERT
	41-50	TILT INVERT
	51-60	PAN/TILT INVERT OFF
	61-70	STUDIO
	71-80	LIVE
	81-90	POWER
	91-100	DIM4
	101-110	DIM0
	111-120	LINEAR
	121-130	SQUARE LAW
	131-140	INV. SQUARE LAW
	141-150	S-CURVE
	151-160	1200Hz
	161-170	2400Hz
	171-180	4000Hz
	181-190	6000Hz
	191-200	25000Hz
	201-210	ALL RESET
	211-220	XY RESET
221-230	ZOOM RESET	

SSP (25CH)	TOUR (32CH)	TR16 (37CH)	Value	Function
1	1	1	0-255	PAN
	2	2	0-255	PAN FINE
2	3	3	0-255	TILT
	4	4	0-255	TILT FINE
3	5	5	0-255	P/T SPEED
4	6	6	0-255	RED
		7	0-255	RED FINE
5	7	8	0-255	GREEN
		9	0-255	GREEN FINE
6	8	10	0-255	BLUE
		11	0-255	BLUE FINE
7	9	12	0-255	LIME
		13	0-255	LIME FINE
8	10	14	0-255	DIMMER
		15	0-255	DIMMER FINE
9	11	16	STROBE	
			0-9	NO FUNCTION
			10-99	STROBE FROM (SLOW TO FAST , 0-25Hz)
			100-109	NO FUNCTION
			110-179	LIGHTNING STROBE
			180-189	NO FUNCTION
			190-255	RANDOM STROBE
	12	17	PRESET COLOUR	
			0-10	NO FUNCTION
			11-255	PRESET COLOUR (See Annex I for details)
	13	18	CCT	
			0-9	NO FUNCTION
			10	1800K
			25	2200K
			40	2700K
			55	3000K
			70	3200K
			85	4000K
			100	4500K
			115	5000K

			130	5600K
			145	6000K
			160	6500K
			175	7000K
			190	8000K
			205	10000K
			255	10000K
	14	19	STATIC PIXEL	
			0-10	NO FUNCTION
			11-255	STATIC PIXEL (See Annex 2 for details)
	15	20	PIXEL EFFECT	
			0-10	NO FUNCTION
			11-255	PIXEL EFFECT (See Annex 3 for details)
	16	21	0-255	AUTO SPEED ADJUSTMENT(SLOW TO FAST)
10	17	22	0-255	ZOOM
11	18	23	0-255	RED (Face mask light strip)
12	19	24	0-255	GREEN (Face mask light strip)
13	20	25	0-255	BLUE (Face mask light strip)
14	21	26	Face mask light strip Colour Presets	
			0-9	Open
			10-14	RED
			15-19	GREEN
			20-24	BLUE
			25-29	Yellow
			30-34	Magenta
			35-39	Cyan
			40-44	WHITE
			45-49	Violet blue
			50-54	Light blue
			55-59	Wine red
			60-64	May green
			65-69	Reseda green
			70-75	Blue lilac
			75-79	Moss green
			80-84	Signal violet
85-89	Red lilac			
90-94	Purple red			
95-99	Green brown			

			100-104	Pale green
			105-109	Ruby red
			110-114	Flame red
			115-119	Red orange
			120-124	Rose
			125-129	Honey yellow
			130-134	Light Pink
			135-139	Deep orange
			140-144	Lemon
			145-149	Golden yellow
			150-154	Pastel orange
			155-159	Cream
			160-164	Melon yellow
			165-169	Luminous orange
			170-174	Luminous yellow
			175-179	Open
			180-248	Stop
			249-255	Open
			Colour FX (Face mask light strip)	
			0-10	Open
			11-20	FX1 (Associated with RGB)
			21-30	FX2 (Associated with RGB)
			31-40	FX3 (Associated with RGB)
			41-50	FX4 (Associated with RGB)
			51-60	FX5 (Associated with RGB)
			61-70	FX6 (Associated with RGB)
			71-80	FX7 (Associated with RGB)
			81-90	FX8 (Associated with RGB)
			91-100	FX9 (Associated with RGB)
			101-110	FX10 (Associated with RGB)
			111-120	FX11 (Associated with RGB)
			121-130	FX12
			131-140	FX13
			141-150	FX14
			151-160	FX15
			161-170	FX16
			171-180	FX17
15	22	27		

			181-190	FX18
			191-200	FX19
			201-210	FX20
			211-255	Open
16	23	28	0-255	Face mask light strip speed(SPEED 1 → 100%)
17	24	29	0-255	Face mask light strip Dimmer
18	25	30	0-255	RED RING (RGB ring)
19	26	31	0-255	GREEN RING (RGB ring)
20	27	32	0-255	BLUE RING (RGB ring)
21	28	33	Ring Colour Presets (RGB ring)	
			0-9	Open
			10-14	RED
			15-19	GREEN
			20-24	BLUE
			25-29	Yellow
			30-34	Magenta
			35-39	Cyan
			40-44	WHITE
			45-49	Violet blue
			50-54	Light blue
			55-59	Wine red
			60-64	May green
			65-69	Reseda green
			70-75	Blue lilac
			75-79	Moss green
			80-84	Signal violet
			85-89	Red lilac
			90-94	Purple red
			95-99	Green brown
			100-104	Pale green
			105-109	Ruby red
			110-114	Flame red
115-119	Red orange			
120-124	Rose			
125-129	Honey yellow			
130-134	Light Pin			
135-139	Deep orange			
140-144	Lemmon			

			145-149	Golden yellow
			150-154	Pastel orange
			155-159	Cream
			160-164	Melon yellow
			165-169	Luminous orange
			170-174	Luminous yellow
			175-179	Open
			180-248	Stop
			249-255	Open
22	29	34	Colour FX (RGB ring)	
			0-10	Open
			11-20	FX1 (Associated with RGB)
			21-30	FX2 (Associated with RGB)
			31-40	FX3 (Associated with RGB)
			41-50	FX4 (Associated with RGB)
			51-60	FX5 (Associated with RGB)
			61-70	FX6 (Associated with RGB)
			71-80	FX7 (Associated with RGB)
			81-90	FX8 (Associated with RGB)
			91-100	FX9 (Associated with RGB)
			101-110	FX10 (Associated with RGB)
			111-120	FX11 (Associated with RGB)
			121-130	FX12
			131-140	FX13
			141-150	FX14
			151-160	FX15
			161-170	FX16
			171-180	FX17
			181-190	FX18
			191-200	FX19
201-210	FX20			
211-255	Open			
23	30	35	0-255	Ring speed(SPEED 1 → 100%)
24	31	36	0-255	Ring Dimmer (RGB ring)
25	32	37	CONTROL (EXECUTE AFTER 3 SECONDS)	
			0-10	NO FUNCTION

		11-20	PAN/TILT BLACK ACTIVATED
		21-30	PAN/TILT BLACK DEACTIVATED
		31-40	PAN INVERT
		41-50	TILT INVERT
		51-60	PAN/TILT INVERT OFF
		61-70	STUDIO
		71-80	LIVE
		81-90	POWER
		91-100	DIM4
		101-110	DIM0
		111-120	LINEAR
		121-130	SQUARE LAW
		131-140	INV. SQUARE LAW
		141-150	S-CURVE
		151-160	1200Hz
		161-170	2400Hz
		171-180	4000Hz
		181-190	6000Hz
		191-200	25000Hz
		201-210	ALL RESET
		211-220	XY RESET
		221-230	ZOOM RESET
		231-255	RESERVED

CMY(31CH)	Value	Function
1	0-255	PAN
2	0-255	PAN FINE
3	0-255	TILT
4	0-255	TILT FINE
5	0-255	PT SPEED
6	0-255	CYAN
7	0-255	MAGENT
8	0-255	YELLOW
9	0-255	DIMMER
10	STROBE	
	0-9	NO FUNCTION
	10-99	STROBE FROM (SLOW TO FAST , 0-25Hz)

	100-109	NO FUNCTION
	110-179	LIGHTNING STROBE
	180-189	NO FUNCTION
	190-255	RANDOM STROBE
11	PRESET COLOUR	
	0-10	NO FUNCTION
	11-255	PRESET COLOUR (See Annex I for details)
12	CCT	
	0-9	NO FUNCTION
	10	1800K
	25	2200K
	40	2700K
	55	3000K
	70	3200K
	85	4000K
	100	4500K
	115	5000K
	130	5600K
	145	6000K
	160	6500K
	175	7000K
	190	8000K
205	10000K	
255	10000K	
13	STATIC PIXEL	
	0-10	NO FUNCTION
	11-255	STATIC PIXEL (See Annex 2 for details)
14	PIXEL EFFECT	
	0-10	NO FUNCTION
	11-255	PIXEL EFFECT (See Annex 3 for details)
15	0-255	AUTO SPEED ADJUSTMENT(SLOW TO FAST)
16	0-255	ZOOM
17	0-255	RED (Face mask light strip)
18	0-255	GREEN (Face mask light strip)
19	0-255	BLUE (Face mask light strip)
20	Face mask light strip Colour Presets	
	000-009	Open
	010-014	RED
	015-019	GREEN

020-024	BLUE
025-029	Yellow
030-034	Magenta
035-039	Cyan
040-044	WHITE
045-049	Violet blue
050-054	Light blue
055-059	Wine red
060-064	May green
065-069	Reseda green
070-074	Blue lilac
075-079	Moss green
080-084	Signal violet
085-089	Red lilac
090-094	Purple red
095-099	Green brown
100-104	Pale green
105-109	Ruby red
110-114	Flame red
115-119	Red orange
120-124	Rose
125-129	Honey yellow
130-134	Light Pin
135-139	Deep orange
140-144	Lemmon
145-149	Golden yellow
150-154	Pastel orange
155-159	Cream
160-164	Melon yellow
165-169	Luminous orange
170-174	Luminous yellow
175-179	Open
180-248	Stop
249-255	Open

21	Colour FX (Face mask light strip)	
	0-10	Open
	11-20	FX1 (Associated with RGB)
	21-30	FX2 (Associated with RGB)
	31-40	FX3 (Associated with RGB)
	41-50	FX4 (Associated with RGB)
	51-60	FX5 (Associated with RGB)
	61-70	FX6 (Associated with RGB)
	71-80	FX7 (Associated with RGB)
	81-90	FX8 (Associated with RGB)
	91-100	FX9 (Associated with RGB)
	101-110	FX10 (Associated with RGB)
	111-120	FX11 (Associated with RGB)
	121-130	FX12
	131-140	FX13
	141-150	FX14
	151-160	FX15
	161-170	FX16
	171-180	FX17
	181-190	FX18
191-200	FX19	
201-210	FX20	
211-255	Open	
22	0-255	Face mask light strip speed(SPEED 1 → 100%)
23	0-255	Face mask light strip Dimmer
24	0-255	RED RING (RGB ring)
25	0-255	GREEN RING (RGB ring)
26	0-255	BLUE RING (RGB ring)
27	Ring Colour Presets (RGB ring)	
	000-009	Open
	010-014	RED
	015-019	GREEN
	020-024	BLUE
	025-029	Yellow
	030-034	Magenta
	035-039	Cyan
	040-044	WHITE
	045-049	Violet blue

050-054	Light blue
055-059	Wine red
060-064	May green
065-069	Reseda green
070-074	Blue lilac
075-079	Moss green
080-084	Signal violet
085-089	Red lilac
090-094	Purple red
095-099	Green brown
100-104	Pale green
105-109	Ruby red
110-114	Flame red
115-119	Red orange
120-124	Rose
125-129	Honey yellow
130-134	Light Pink
135-139	Deep orange
140-144	Lemon
145-149	Golden yellow
150-154	Pastel orange
155-159	Cream
160-164	Melon yellow
165-169	Luminous orange
170-174	Luminous yellow
175-179	Open
180-248	Stop
249-255	Open

28

Colour FX (RGB ring)	
0-10	Open
11-20	FX1 (Associated with RGB)
21-30	FX2 (Associated with RGB)
31-40	FX3 (Associated with RGB)
41-50	FX4 (Associated with RGB)
51-60	FX5 (Associated with RGB)
61-70	FX6 (Associated with RGB)
71-80	FX7 (Associated with RGB)
81-90	FX8 (Associated with RGB)
91-100	FX9 (Associated with RGB)

	101-110	FX10 (Associated with RGB)
	111-120	FX11 (Associated with RGB)
	121-130	FX12
	131-140	FX13
	141-150	FX14
	151-160	FX15
	161-170	FX16
	171-180	FX17
	181-190	FX18
	191-200	FX19
	201-210	FX20
	211-255	Open
29	0-255	Ring speed(SPEED 1 → 100%)
30	0-255	Ring Dimmer (RGB ring)
31	CONTROL (EXECUTE AFTER 3 SECONDS)	
	0-10	NO FUNCTION
	11-20	PAN/TILT BLACK ACTIVATED
	21-30	PAN/TILT BLACK DEACTIVATED
	31-40	PAN INVERT
	41-50	TILT INVERT
	51-60	PAN/TILT INVERT OFF
	61-70	STUDIO
	71-80	LIVE
	81-90	POWER
	91-100	DIM4
	101-110	DIM0
	111-120	LINEAR
	121-130	SQUARE LAW
	131-140	INV. SQUARE LAW
	141-150	S-CURVE
	151-160	1200Hz
	161-170	2400Hz
	171-180	4000Hz
	181-190	6000Hz
	191-200	25000Hz
	201-210	ALL RESET
211-220	XY RESET	
221-230	ZOOM RESET	
231-255	RESERVED	

PIXEL (101CH)	Value	Function
1	0-255	PAN
2	0-255	PAN FINE
3	0-255	TILT
4	0-255	TILT FINE
5	0-255	PT SPEED
6	0-255	ZOOM
7	0-255	RED (Face mask light strip)
8	0-255	GREEN (Face mask light strip)
9	0-255	BLUE (Face mask light strip)
10	Face mask light strip Colour Presets	
	000-009	Open
	010-014	RED
	015-019	GREEN
	020-024	BLUE
	025-029	Yellow
	030-034	Magenta
	035-039	Cyan
	040-044	WHITE
	045-049	Violet blue
	050-054	Light blue
	055-059	Wine red
	060-064	May green
	065-069	Reseda green
	070-074	Blue lilac
	075-079	Moss green
	080-084	Signal violet
	085-089	Red lilac
	090-094	Purple red
	095-099	Green brown
	100-104	Pale green
	105-109	Ruby red
	110-114	Flame red
115-119	Red orange	
120-124	Rose	
125-129	Honey yellow	

	130-134	Light Pink
	135-139	Deep orange
	140-144	Lemon
	145-149	Golden yellow
	150-154	Pastel orange
	155-159	Cream
	160-164	Melon yellow
	165-169	Luminous orange
	170-174	Luminous yellow
	175-179	Open
	180-248	Stop
	249-255	Open
	Colour FX (Face mask light strip)	
	0-10	Open
	11-20	FX1 (Associated with RGB)
	21-30	FX2 (Associated with RGB)
	31-40	FX3 (Associated with RGB)
	41-50	FX4 (Associated with RGB)
	51-60	FX5 (Associated with RGB)
	61-70	FX6 (Associated with RGB)
	71-80	FX7 (Associated with RGB)
	81-90	FX8 (Associated with RGB)
	91-100	FX9 (Associated with RGB)
	101-110	FX10 (Associated with RGB)
	111-120	FX11 (Associated with RGB)
	121-130	FX12
	131-140	FX13
	141-150	FX14
	151-160	FX15
	161-170	FX16
	171-180	FX17
	181-190	FX18
	191-200	FX19
	201-210	FX20
	211-255	Open
11		
12	0-255	Face mask light strip speed(SPEED 1 → 100%)
13	0-255	Face mask light strip Dimmer
14	0-255	RED RING (RGB ring)

15	0-255	GREEN RING (RGB ring)
16	0-255	BLUE RING (RGB ring)
17	Ring Colour Presets (RGB ring)	
	000-009	Open
	010-014	RED
	015-019	GREEN
	020-024	BLUE
	025-029	Yellow
	030-034	Magenta
	035-039	Cyan
	040-044	WHITE
	045-049	Violet blue
	050-054	Light blue
	055-059	Wine red
	060-064	May green
	065-069	Reseda green
	070-074	Blue lilac
	075-079	Moss green
	080-084	Signal violet
	085-089	Red lilac
	090-094	Purple red
	095-099	Green brown
	100-104	Pale green
	105-109	Ruby red
	110-114	Flame red
	115-119	Red orange
	120-124	Rose
	125-129	Honey yellow
	130-134	Light Pink
	135-139	Deep orange
140-144	Lemon	
145-149	Golden yellow	
150-154	Pastel orange	
155-159	Cream	
160-164	Melon yellow	
165-169	Luminous orange	
170-174	Luminous yellow	

	175-179	Open
	180-248	Stop
	249-255	Open
18	Colour FX (RGB ring)	
	0-10	Open
	11-20	FX1 (Associated with RGB)
	21-30	FX2 (Associated with RGB)
	31-40	FX3 (Associated with RGB)
	41-50	FX4 (Associated with RGB)
	51-60	FX5 (Associated with RGB)
	61-70	FX6 (Associated with RGB)
	71-80	FX7 (Associated with RGB)
	81-90	FX8 (Associated with RGB)
	91-100	FX9 (Associated with RGB)
	101-110	FX10 (Associated with RGB)
	111-120	FX11 (Associated with RGB)
	121-130	FX12
	131-140	FX13
	141-150	FX14
	151-160	FX15
	161-170	FX16
	171-180	FX17
	181-190	FX18
	191-200	FX19
201-210	FX20	
	211-255	Open
19	0-255	Ring Speed (SPEED 1 → 100%)
20	0-255	Ring Dimmer (RGB ring)
21	CONTROL (EXECUTE AFTER 3 SECONDS)	
	0-10	NO FUNCTION
	11-20	PAN/TILT BLACK ACTIVATED
	21-30	PAN/TILT BLACK DEACTIVATED
	31-40	PAN INVERT
	41-50	TILT INVERT
	51-60	PAN/TILT INVERT OFF
	61-70	STUDIO
	71-80	LIVE

	81-90	POWER
	91-100	DIM4
	101-110	DIM0
	111-120	LINEAR
	121-130	SQUARE LAW
	131-140	INV. SQUARE LAW
	141-150	S-CURVE
	151-160	1200Hz
	161-170	2400Hz
	171-180	4000Hz
	181-190	6000Hz
	191-200	25000Hz
	201-210	ALL RESET
	211-220	XY RESET
	221-230	ZOOM RESET
	231-255	RESERVED
22	0-255	DIMMER
23	STROBE	
	0-9	NO FUNCTION
	10-99	STROBE FROM (SLOW TO FAST , 0-25Hz)
	100-109	NO FUNCTION
	110-179	LIGHTNING STROBE
	180-189	NO FUNCTION
	190-255	RANDOM STROBE
24	PRESET COLOUR	
	0-10	NO FUNCTION
	11-255	PRESET COLOUR (See Annex I for details)
25	CCT	
	0-9	NO FUNCTION
	10	1800K
	25	2200K
	40	2700K
	55	3000K
	70	3200K
	85	4000K
	100	4500K
	115	5000K
	130	5600K

	145	6000K
	160	6500K
	175	7000K
	190	8000K
	205	10000K
	255	10000K
26	0-255	RED 1
27	0-255	GREEN 1
28	0-255	BLUE 1
29	0-255	LIME 1
30	0-255	RED 2
31	0-255	GREEN 2
32	0-255	BLUE 2
33	0-255	LIME 2
34	0-255	RED 3
35	0-255	GREEN 3
36	0-255	BLUE 3
37	0-255	LIME 3
38	0-255	RED 4
39	0-255	GREEN 4
40	0-255	BLUE 4
41	0-255	LIME 4
42	0-255	RED 5
43	0-255	GREEN 5
44	0-255	BLUE 5
45	0-255	LIME 5
46	0-255	RED 6
47	0-255	GREEN 6
48	0-255	BLUE 6
49	0-255	LIME 6
50	0-255	RED 7
51	0-255	GREEN 7
52	0-255	BLUE 7
53	0-255	LIME 7
54	0-255	RED 8
55	0-255	GREEN 8
56	0-255	BLUE 8
57	0-255	LIME 8
58	0-255	RED 9

59	0-255	GREEN 9
60	0-255	BLUE 9
61	0-255	LIME 9
62	0-255	RED 10
63	0-255	GREEN 10
64	0-255	BLUE 10
65	0-255	LIME 10
66	0-255	RED 11
67	0-255	GREEN 11
68	0-255	BLUE 11
69	0-255	LIME 11
70	0-255	RED 12
71	0-255	GREEN 12
72	0-255	BLUE 12
73	0-255	LIME 12
74	0-255	RED 13
75	0-255	GREEN 13
76	0-255	BLUE 13
77	0-255	LIME 13
78	0-255	RED 14
79	0-255	GREEN 14
80	0-255	BLUE 14
81	0-255	LIME 14
82	0-255	RED 15
83	0-255	GREEN 15
84	0-255	BLUE 15
85	0-255	LIME 15
86	0-255	RED 16
87	0-255	GREEN 16
88	0-255	BLUE 16
89	0-255	LIME 16
90	0-255	RED 17
91	0-255	GREEN 17
92	0-255	BLUE 17
93	0-255	LIME 17
94	0-255	RED 18
95	0-255	GREEN 18
96	0-255	BLUE 18
97	0-255	LIME 18

98	0-255	RED 19
99	0-255	GREEN 19
100	0-255	BLUE 19
101	0-255	LIME 19

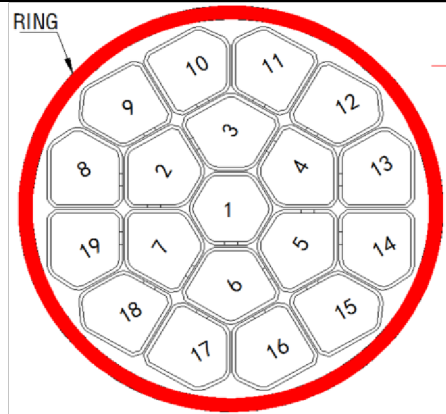
Annex 1

PRESET COLOUR	Value	Colour Names	x	y	
	0-10	NO FUNCTION			
	11-15	RESERVE	Loving Amber	0.407	0.321
COLOUR 1	16-20	R40	Light Salmon	0.499	0.321
COLOUR 2	21-25	L24	Scarlet	0.561	0.296
COLOUR 3	26-30	L164	Flame Red	0.659	0.302
	31-35	RESERVE	Easy White	0.389	0.344
	36-40	RESERVE	Warm Peach	0.448	0.353
COLOUR 4	41-45	L08	Dark Salmon	0.498	0.347
COLOUR 5	46-50	L25	Sunset Red	0.566	0.359
	51-55	RESERVE	Medium Bastard Amber	0.37	0.335
COLOUR 6	56-60	L237	CID(To Tungsten)	0.43	0.365
COLOUR 7	61-65	R321	Soft Golden Amber	0.477	0.406
COLOUR 8	66-70	L652	Urban Sodium	0.535	0.399
	71-75	RESERVE	LCT Yellow(Y1)	0.34	0.363
COLOUR 9	76-80	L765	LEE Yellow	0.389	0.412
COLOUR 10	81-85	L513	Ice And A Slice	0.38	0.447
	86-90	RESERVE	Spring Yellow	0.41	0.502
	91-95	RESERVE	LEE Plus Green	0.324	0.388
	96-100	RESERVE	CalColor 30 Green	0.318	0.44
	101-105	RESERVE	Fern Green	0.234	0.543
COLOUR 11	106-110	L90	Dark Yellow Green	0.184	0.641
	111-115	RESERVE	LEE Fluorescent3600K	0.286	0.37
COLOUR 12	116-120	R92	Tuiquoise	0.235	0.36
	121-125	RESERVE	Kelly Green	0.185	0.459
	126-130	RESERVE	Forest Green	0.162	0.496
	131-135	RESERVE	Cosmetic Aqua Blue	0.3	0.318
COLOUR 13	136-140	L728	Steel Green	0.256	0.302
COLOUR 14	141-145	L117	Steel Blue	0.223	0.278
COLOUR 15	146-150	L354	Special Steel Blue	0.173	0.265
	151-155	RESERVE	Paler Lavender	0.284	0.284
COLOUR 16	156-160	L501	New Colour Blue	0.246	0.249
COLOUR 17	161-165	L174	Dark Steel Blue	0.204	0.205
	166-170	RESERVE	Daylight Blue	0.159	0.158
	171-175	RESERVE	Pale Lavender	0.288	0.254
	176-180	RESERVE	Surprise Pink	0.24	0.183
COLOUR 18	181-185	L142	Pale Violet	0.209	0.148
	186-190	RESERVE	Perfect Lavender	0.177	0.07
	191-195	RESERVE	Light Pink	0.335	0.289
COLOUR 19	196-200	L794	Pretty'n Pink	0.335	0.251
COLOUR 20	201-205	L328	Follies Pink	0.335	0.18
	206-210	RESERVE	Magical Magenta	0.327	0.138

	211-215	RESERVE	Pale Rose	0.35	0.318
COLOUR 21	216-220	L127	Smokey Pink	0.397	0.265
COLOUR 22	221-225	L192	Flesh Pink	0.41	0.237
	226-230	RESERVE	Special Rose Pink	0.465	0.193
	231-235	RESERVE	Moroccan Pink	0.378	0.324
COLOUR 23	236-240	L157	Pink	0.457	0.272
COLOUR 24	241-245	R332	Cherry Rose	0.489	0.295
	246-250	RESERVE	Cool LED Bright Pink	0.57	0.263
	251-255	NO FUNCTION			

Annex 2

STATIC PIXEL	
0-10	NO FUNCTION
11-15	1
16-20	2
21-25	3
26-30	4
31-35	5
36-40	6
41-45	7
46-50	8
51-55	9
56-60	10
61-65	11
66-70	12
71-75	13
76-80	14
81-85	15
86-90	16
91-95	17
96-100	18
101-105	19
106-110	1
111-115	2,3
116-120	4,5
121-125	6,7
126-130	8,9
131-135	10,11
136-140	12,13
141-145	14,15



146-150	16,17
151-155	18,19
156-160	1
161-165	2,3,4
166-170	5,6,7
171-175	8,9,10
176-180	11,12,13
181-185	14,15,16
186-190	17,18,19
191-195	1
196-200	2,3,4,5,6,7
201-205	8,9,10,11
206-210	12,13,14,15
211-215	16,17,18,19
216-220	1
221-225	2,8,9
226-230	3,10,11
231-235	4,12,13
236-240	5,14,15
241-245	6,16,17
246-250	7,18,19
251-255	NO FUNCTION

Annex 3

PIXEL EFFECT	
0-10	NO FUNCTION
11-15	1-19(Single light cycling operation, associated with CH6-CH18)
16-20	19-1(Single light cycling operation, associated with CH6-CH18)
21-25	1-19-1(Single light cycling operation, associated with CH6-CH18)
26-30	1-10 and 19-10(1&19light up in the same time, gathering from 2 RGB rings to the centre in
31-35	1 (30%)-2 (60%)-3 (100%) , (associated with CH6-CH18)
	2 (30%)-3 (60%)-4 (100%) , (associated with CH6-CH18)
	3 (30%)-4 (60%)-5 (100%) , (associated with CH6-CH18)
	4 (30%)-5 (60%)-6 (100%) , (associated with CH6-CH18)
	5 (30%)-6 (60%)-7 (100%) , (associated with CH6-CH18).....
	18 (30%)-19 (60%)-1 (100%) , (associated with CH6-CH18)
	19 (30%)-1 (60%)-2 (100%) , (associated with CH6-CH18)
36-40	19(30%)-18 (60%)-17 (100%) , (associated with CH6-CH18)
	18 (30%)-5 (60%)-4 (100%) , (associated with CH6-CH18)
	5 (30%) - 4 (60%) 3 (100%) , (associated with CH6-CH18)
	4 (30%) - 3 (60%) 2 (100%) , (associated with CH6-CH18)
	3 (30%) - 2 (60%) 1 (100%) , (associated with CH6-CH18)
	2 (30%) - 1 (60%) 19 (100%) , (associated with CH6-CH18)
	1 (30%) - 19 (60%) 18 (100%) , (associated with CH6-CH18)
41-45	1-19 2700K cycle run (CH6-CH11 background)
46-50	19-1 2700K cycle run (CH6-CH11 background)
51-55	1-19-1 2700K cycle run (CH6-CH11 background)
56-60	1-10 and 19-10(1<2700k>&19<2700K>light up in the same time, gathering from 2 RGB rings to
61-65	1-19(Single 6000k cycling operation ,the background effect associated with CH6-CH18)

66-70	19-1(Single 6000k cycling operation ,the background effect associated with CH6-CH18)
71-75	1-19-1(Single 6000k cycling operation ,the background effect associated with CH6-CH18)
76-80	1-10 and 19-10(1<6000k>&7<6000K>light up in the same time, gathering from 2 RGB rings to
81-85	Red background , illuminance adjustable . 100% green lightness runs(1-19)
86-90	Red background , illuminance adjustable . 100% green lightness runs(19-1)
91-95	Red background , illuminance adjustable . 100% green lightness runs(1-19-1)
96-100	Red background , illuminance adjustable . 100% green lightness runs(1-10,19-10),1&19light up
101-105	Green background , illuminance adjustable . 100% blue lightness runs(1-19)
106-110	Green background , illuminance adjustable . 100% blue lightness runs(19-1)
111-115	Green background , illuminance adjustable . 100% blue lightness runs(1-19-1)
116-120	Green background , illuminance adjustable . 100% blue lightness runs(1-10,19-10),1&19light up
121-125	Blue background , illuminance adjustable . 100% green lightness runs(1-19)
126-130	Blue background , illuminance adjustable . 100% green lightness runs(19-1)
131-135	Blue background , illuminance adjustable . 100% green lightness runs(1-19-1)
136-140	Blue background , illuminance adjustable . 100% green lightness runs(1-10,19-10),1&19 light up
141-145	Red background , illuminance adjustable . 100% lime lightness runs(1-19)
146-150	Red background , illuminance adjustable . 100% lime lightness runs(19-1)
151-155	Red background , illuminance adjustable . 100% lime lightness runs(1-19-1)
156-160	Red background , illuminance adjustable . 100% lime lightness runs(1-10,19-10),1&19 light up in
161-165	Green background , illuminance adjustable . 100% lime lightness runs(1-19)
166-170	Green background , illuminance adjustable . 100% lime lightness runs(19-1)
171-175	Green background , illuminance adjustable . 100% lime lightness runs(1-19-1)
176-180	Green background , illuminance adjustable . 100% lime lightness runs(1-10,19-10),1&19 light up
181-185	Blue background , illuminance adjustable . 100% lime lightness runs(1-19)
186-190	Blue background , illuminance adjustable . 100% lime lightness runs(19-1)
191-195	Blue background , illuminance adjustable . 100% lime lightness runs(1-19-1)
196-200	Blue background , illuminance adjustable . 100% lime lightness runs(1-10,19-10),1&19 light up in
201-205	Green background , illuminance adjustable . 100% red lightness runs(1-19)
206-210	Green background , illuminance adjustable . 100% red lightness runs(19-1)
211-215	Green background , illuminance adjustable . 100% red lightness runs(1-19-1)
216-220	Green background , illuminance adjustable . 100% red lightness runs(1-10,19-10),1&19 light up
221-225	Blue background , illuminance adjustable . 100% red lightness runs(1-19)
226-230	Blue background , illuminance adjustable . 100% red lightness runs(19-1)
231-235	Blue background , illuminance adjustable . 100% red lightness runs(1-19-1)
236-240	Blue background , illuminance adjustable . 100% red lightness runs(1-10,19-10),1&19 light up in
241-245	small-middle-big-middle-small circular ring
246-250	1-2,3,4,5,6,7-8,9,10,11,12,13,14,15,16,17,18,19-2,3,4,5,6,7cycle operation
251-255	NO FUNCTION