

EK

BRIX FC

EK

Outdoor-rated RGBW COB LED blinder with modular design for deploying large arrays

Reproduces the look and feel of the classic halogen 4-cell blinder

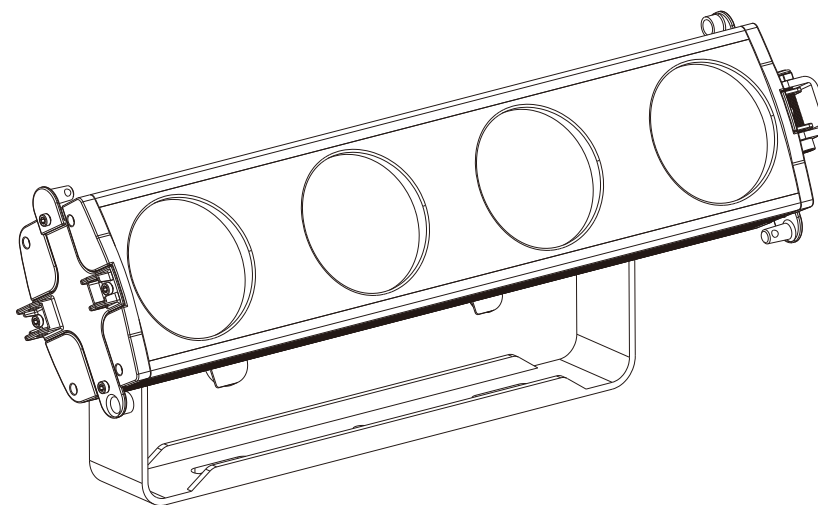


TABLE OF CONTENTS

SAFETY

DIMENSIONS

DESCRIPTION

INTRODUCTION

POWER LINKING

DMX CONNECTION

TECHNICAL SPECIFICATION

PHOTOMETRICS

MENU

MENU DESCRIPTION

DMX CHARTS

TROUBLE SHOOTING

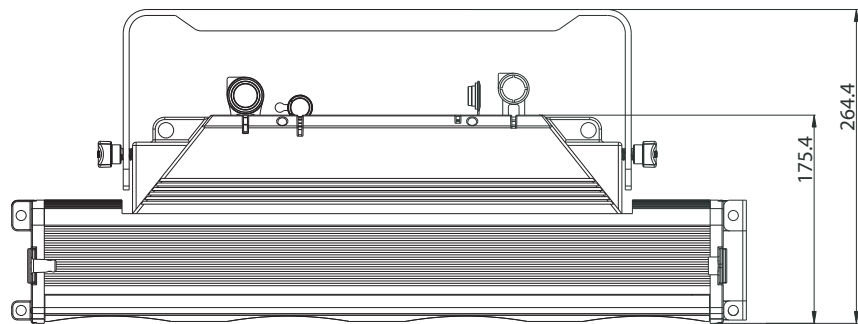
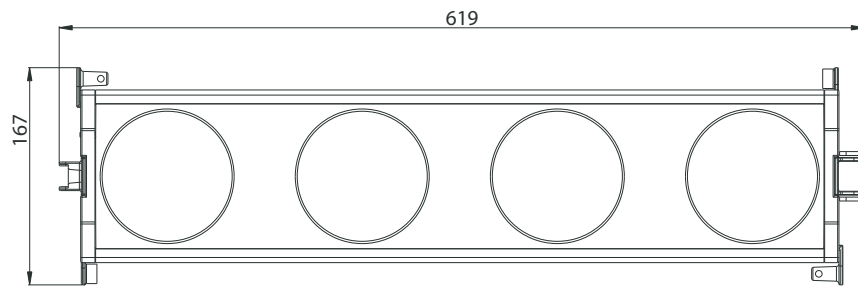
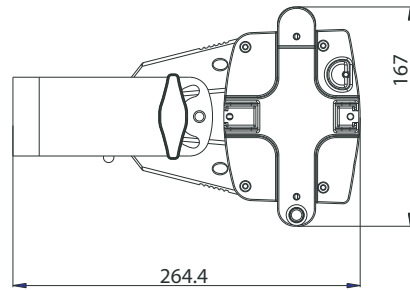
Packing content

- BRIX FC
- Power cable
- User manual
- Connecting hardware

TROUBLESHOOTING

Problems	Possible Causes	Checks and Remedies
Fixture does not light up	<ul style="list-style-type: none"> • No mains supply • Dimmer fader set to 0 • Faulty LED • Faulty LED board 	<ul style="list-style-type: none"> • Check the power supply voltage • Increase the value of the dimmer channels • Replace the LED board • Replace the LED board
General low light intensity	<ul style="list-style-type: none"> • Dirty lens assembly • Misaligned lens assembly 	<ul style="list-style-type: none"> • Clean the fixture regularly • Install lens assembly properly
Fixture does not power up	<ul style="list-style-type: none"> • No power • Loose or damaged power cord • Faulty internal power supply 	<ul style="list-style-type: none"> • Check for power on power outlet • Check power cord • Replace internal power supply
Fixture does not respond to DMX	<ul style="list-style-type: none"> • Wrong DMX addressing • Damaged DMX cables • Bouncing signals 	<ul style="list-style-type: none"> • Check control panel and unit addressing • Check DMX cables • Install DMX terminator

DIMENSIONS



DMX CHARTS

19	Foreground Color	000-012 013-025 026-038 039-051 052-064 065-077 078-090 091-103 104-116 117-129 130-142 143-155 156-168 169-181 182-194 195-207 208-220 221-233 234-246 247-255	NO FUNCTIONS/ MAIN RGBWCHANNELS CONTROL R G B W GB RB RG RGB RW GW BW RGW RBW GBW RGBW White 2000K White 3000K White 4000K Color Cycling (Slow to fast)	
20	Foreground Dimmer	000-255	0~100%	
21	Background	000-012 013-025 026-038 039-051 052-064 065-077 078-090 091-103 104-116 117-129 130-142 143-155 156-168 169-181 182-194 195-207 208-220 221-233 234-246 247-255	Black R G B W GB RB RG RGB RW GW BW RGW RBW GBW RGBW White 2000K White 3000K White 4000K Color Cycling	
22	Background Dimmer	000-255	0~100%	
23	Dimmer	000-255	0~100%	
24	Strobe	000-030 031-100 101-130 131-200 201-255	No function (shutter open) Strobe effect slow to fast No function (shutter open) Randomstrobe effect slow to fast No function (shutter open)	Must work with patterns too.
25	Dimmer Speed Mode	000-000 001-255	Preset dimmer speed from display menu Dimmerfade from fast to slow	

DMX CHARTS

EXT 25Ch	Function	Value	Percent/Setting	Remark
1	Red1	000-255	0~100%	
2	Green1	000-255	0~100%	
3	Blue1	000-255	0~100%	
4	White1	000-255	0~100%	
5	Red2	000-255	0~100%	
6	Green2	000-255	0~100%	
7	Blue2	000-255	0~100%	
8	White2	000-255	0~100%	
9	Red3	000-255	0~100%	
10	Green3	000-255	0~100%	
11	Blue3	000-255	0~100%	
12	White3	000-255	0~100%	
13	Red4	000-255	0~100%	
14	Green4	000-255	0~100%	
15	Blue4	000-255	0~100%	
16	White4	000-255	0~100%	
17	Dynamic patterns	000-010	No Function	
		011-020	Pattern 1	
		021-030	Pattern 2	
		031-040	Pattern 3	
		041-050	Pattern 4	
		051-060	Pattern 5	
		061-070	Pattern 6	
		071-080	Pattern 7	
		081-090	Pattern 8	
		091-100	Pattern 9	
		101-110	Pattern 10	
		111-120	Pattern 11	
		121-130	Pattern 12	
		131-140	Pattern 13	
		141-150	Pattern 14	
		151-160	Pattern 15	
		161-170	Pattern 16	
		171-180	Pattern 17	
		181-190	Pattern 18	
		191-200	Pattern 19	
		201-210	Pattern 20	
		211-220	Pattern 21	
		221-230	Pattern 22	
		231-240	Pattern 23	
241-255	RandomPattern			
18	Patterns speed	000-029	Pattern indexing/Static	
		030-140	Speed slow to fast	
		141-255	TBD/Not used	

DESCRIPTION

4 x 65W RGBW COB LEDs

IP65: designed for both outdoor and indoor use

OLED display with battery

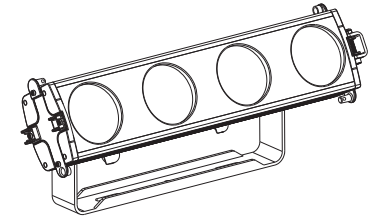
Die-cast housing for efficient cooling

Selection of four dimming curves

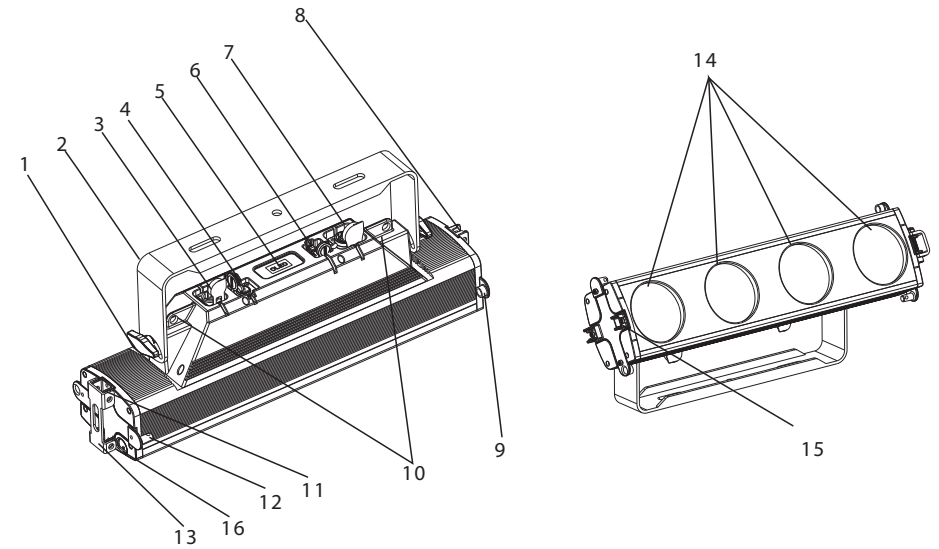
Power linking (PowerCon In/Out)

Master/Slave mode

DMX control



INTRODUCTION

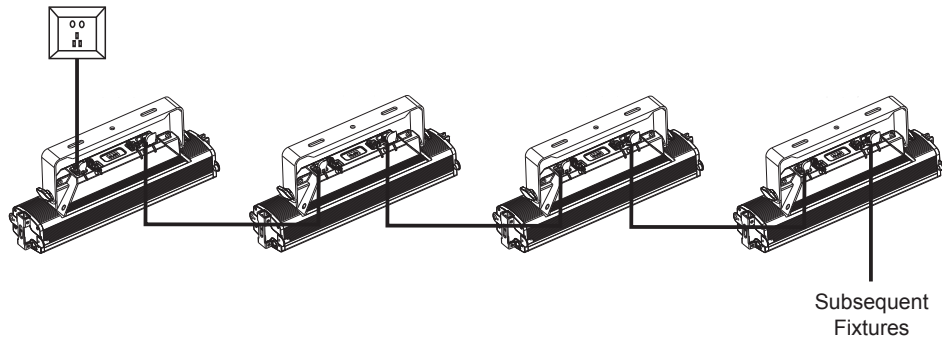


1. Locking Knob	5. OLED Display	9. Rigging Pin Hole	13. Rigging Bracket
2. Mounting Bracket	6. 5-Pin XLR Out	10. Safety Loop	14. LED
3. Power In	7. Power Out	11. Rigging Bracket	15. Rigging Pin
4. 5-Pin XLR In	8. Rigging Bracket	12. Rigging Pin Hole	16. Lens Plate Release

OLED Panel Function Description

Function	Display	Description	Operation
Mode	Menu Option	Select Menu	Menu Select
Up	Up	Scroll Up	Increase Values
Down	Down	Scroll Down	Decrease Values
Enter	Confirm	Confirm	Save the setting

POWER LINKING



Power In

Using POWER CON In/Out
Power cable connected in series
Attention: due to the power rating,
one 1.5mm power cable can connect 6 units maximum



Power out



WARNING

Do not connect more than maximum allowable number of fixtures.
Do not use damaged cables.
Turn off power when the units are not in use.

DMX CHARTS

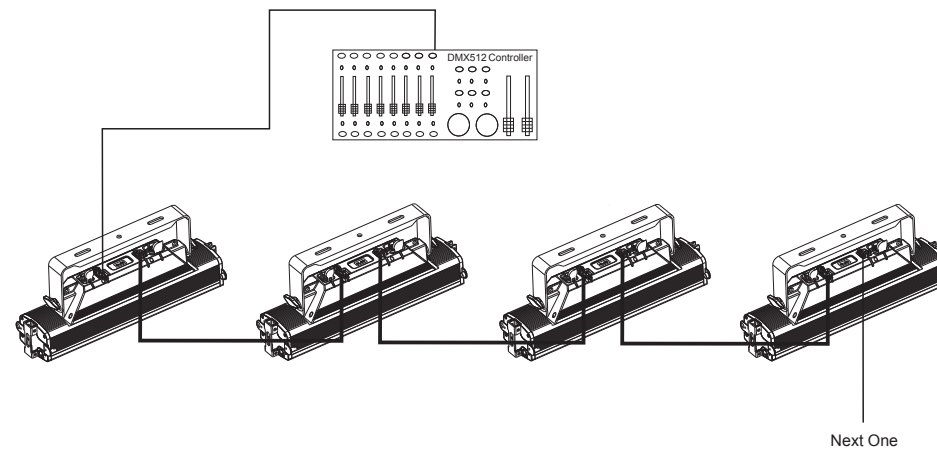
EXT 16Ch	Function	Value	Percent/Setting	Remark
1	Red1	000-255	0~100%	
2	Green1	000-255	0~100%	
3	Blue1	000-255	0~100%	
4	White1	000-255	0~100%	
5	Red2	000-255	0~100%	
6	Green2	000-255	0~100%	
7	Blue2	000-255	0~100%	
8	White2	000-255	0~100%	
9	Red3	000-255	0~100%	
10	Green3	000-255	0~100%	
11	Blue3	000-255	0~100%	
12	White3	000-255	0~100%	
13	Red4	000-255	0~100%	
14	Green4	000-255	0~100%	
15	Blue4	000-255	0~100%	
16	White4	000-255	0~100%	

EXT 19Ch	Function	Value	Percent/Setting	Remark
1	Red1	000-255	0~100%	
2	Green1	000-255	0~100%	
3	Blue1	000-255	0~100%	
4	White1	000-255	0~100%	
5	Red2	000-255	0~100%	
6	Green2	000-255	0~100%	
7	Blue2	000-255	0~100%	
8	White2	000-255	0~100%	
9	Red3	000-255	0~100%	
10	Green3	000-255	0~100%	
11	Blue3	000-255	0~100%	
12	White3	000-255	0~100%	
13	Red4	000-255	0~100%	
14	Green4	000-255	0~100%	
15	Blue4	000-255	0~100%	
16	White4	000-255	0~100%	
17	Dimmer	000-255	0~100%	
18	Strobe	000-030	No function (shutter open)	
		031-100	Strobe effect slow to fast	
		101-130	No function (shutter open)	
		131-200	Randomstrobe effect slow to fast	
19	Dimmer Speed Mode	000-000	Preset dimmer speed from display menu	
		001-255	Dimmerfade from fast to slow	

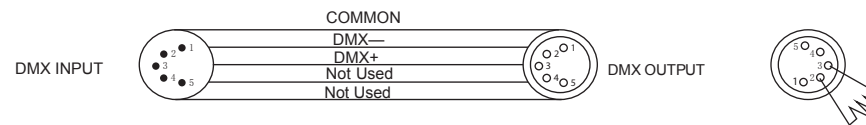
DMX CHARTS

11	Foreground Color	000-012	NOFUNCTIONS/ MAIN RGBW CHANNELS CONTROL	← WITHNOFOREGROUNDOLORSELECTED, LEAVE THE MAIN RGBWALUES (CHANNELS ABOVE)
		013-025	R	
		026-038	G	
		039-051	B	
		052-064	W	
		065-077	GB	
		078-090	RB	
		091-103	RG	
		104-116	RGB	
		117-129	RW	
		130-142	GW	
		143-155	BW	
		156-168	RGW	
		169-181	RBW	
		182-194	GBW	
195-207	RGBW			
208-220	White 2000K			
221-233	White 3000K			
234-246	White 4000K			
247-255	Color Cycling (Slow to fast)			
12	Foreground Dimmer	000-255	0~100%	
13	Background	000-012	BLACK	
		013-025	R	
		026-038	G	
		039-051	B	
		052-064	W	
		065-077	GB	
		078-090	RB	
		091-103	RG	
		104-116	RGB	
		117-129	RW	
		130-142	GW	
		143-155	BW	
		156-168	RGW	
		169-181	RBW	
		182-194	GBW	
195-207	RGBW			
208-220	White 2000K			
221-233	White 3000K			
234-246	White 4000K			
247-255	Color Cycling (Slow to fast)			
14	Background Dimmer	000-255	0~100%	
15	DimmerFade	000-000	Preset dimmer speed from display menu	Must work on patterns and forward/reverse color spin too
		001-255	Dimmerfade from fast to slow	

DMX CONNECTION



DMX512 CONTROL



Relation between DMX Channels and Address

MODE	ALLOCATION	STARTING ADDRESS 1ST FIXTURE	STARTING ADDRESS 2ND FIXTURE	STARTING ADDRESS 3RD FIXTURE	STARTING ADDRESS 4TH FIXTURE
4CH	001- 004	001	005	009	013
6CH	002- 007	002	008	014	020
15CH	023- 037	023	038	053	068

Follow above method for subsequent fixtures, calculating starting addresses as indicated.

TECHNICAL SPECIFICATION

Light Source: 65W RGBW LED

Beam Angle: 23°

Field Angle: 42°

Output: 1140 LUX @ 5 meters

Mains: 100-240V 50/60HZ

Power Consumption: 229W/230V

Color Output: RGBW

Matrix: 4 x 1

Strobe: 0-30HZ

Dimming: 4 dimming curve modes

Control: DMX

Max Ambient: 40° C

Min Ambient: -20° C

Cooling: Active

DMX channels: Halo 1 / 4 CH
STD 4 / 6 / 15 CH
EXT 16 / 19 / 25 CH

Display: OLED menu with four button navigation

Housing: Diecast aluminum, breather

Fliter Angle: 23°/38°

Max Housing: 72°

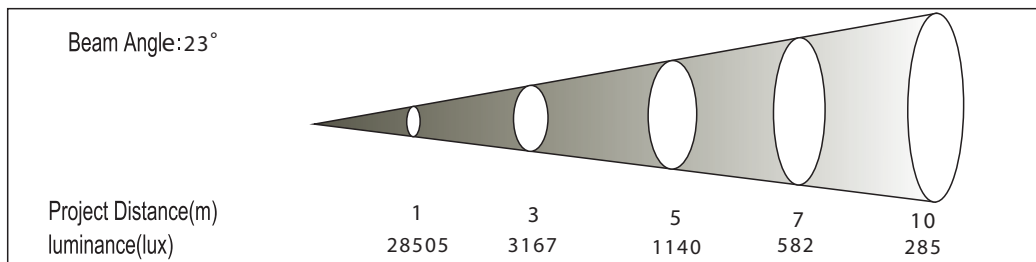
Power Cord: Include(PowerCon)

IP Rating: IP65

Dimensions: 619 x 167 x 264 mm

Weight: 8Kg

PHOTOMETRICS



Color	1 m	LUX	3 m	LUX	5 m	LUX	7 m	LUX	10 m	LUX
R	6212		690		248		126		62	
G	10482		1165		419		214		105	
B	1675		186		67		34		17	
W	13928		1548		557		284		139	
ALL	28505		3167		1140		582		285	

DMX CHARTS

8		000-223	2000K→3000K	
		224-231	3000K→4000K	
		232-239	4000K→5600K	
		240-247	5600K→800K	
		248-255	8000K	
	Forward Spin	000-255	Rainbow Effect (Slow to Fast)	
	Reverse Spin	000-255	Rainbow Effect (Slow to Fast)	
	Color Presets	000-028 029-056 057-084 084-112 113-140 141-168 169-196 197-224 225-255	R 100%, G 0~100%, B 0% R 100%~0%, G 100%, B 0% R 0%, G 100%, B 0~100% R 0%, G 100%~0%, B 100% R 0%~100%, G 0%, B 100% R 100%, G 0%, B 100%~0% R 100%, G 0%~100%, B 0%~100% R 100%~0%, G 100%~0%, B 100% R 100%, G 100%, B 100% W 100%	Fade change between values
	Halo1 DWE	000-255	0~100%	The same as Halo1 Channel mode
	9	Dynamic Patterns	000-010	No Function
011-020			Pattern 1	
021-030			Pattern 2	
031-040			Pattern 3	
041-050			Pattern 4	
051-060			Pattern 5	
061-070			Pattern 6	
071-080			Pattern 7	
081-090			Pattern 8	
091-100			Pattern 9	
101-110			Pattern 10	
111-120			Pattern 11	
121-130			Pattern 12	
131-140			Pattern 13	
141-150			Pattern 14	
151-160			Pattern 15	
161-170			Pattern 16	
171-180			Pattern 17	
181-190			Pattern 18	
191-200			Pattern 19	
201-210			Pattern 20	
211-220			Pattern 21	
221-230			Pattern 22	
231-240	Pattern 23			
241-255	RandomPattern			
10	Patterns speed	000-029	Pattern Indexing/Static	PATTERN/STATIC allows to choose one of the position of the pattern selected.
		030-140	Speed slow to fast	
		141-255	TBD/Not used	

DMX CHARTS

HALO1Ch	Function	Value	Percent/Setting	Remark
1	Dimmer	000-255	0~100%	Halogen DWESimulation: - Long dimmer fade out(3 seconds) - Dimmer@ 100%: looks like a halogen DWE - Dimmer@ 0%: red shift simulation looks like halogen DWE - DimmerCurve fade in

HALO4Ch	Function	Value	Percent/Setting	Remark
1	Pixel 1	000-255	Dimmerled1 0~100%	Halogen DWESimulation: - Long dimmer fade out(3 seconds) - Dimmer@ 100%: looks like a halogen DWE - Dimmer@ 0%: red shift simulation looks like halogen DWE - DimmerCurve fade in
2	Pixel 2	000-255	Dimmerled2 0~100%	
3	Pixel 3	000-255	Dimmerled3 0~100%	
4	Pixel 4	000-255	Dimmerled4 0~100%	

STD 4Ch	Function	Value	Percent/Setting	Remark
1	Red	000-255	0~100%	
2	Green	000-255	0~100%	
3	Blue	000-255	0~100%	
4	White	000-255	0~100%	

STD 6Ch	Function	Value	Percent/Setting	Remark
1	Dimmer	000-255	0~100%	
2	Red	000-255	0~100%	
3	Green	000-255	0~100%	
4	Blue	000-255	0~100%	
5	White	000-255	0~100%	
6	Strobe	000-030 031-100 101-130 131-200 201-255	No function (shutter open) Strobe effect slow to fast No function (shutter open) Randomstrobe effect slow to fast No function (shutter open)	

STD15Ch	Function	Value	Percent/Setting	Remark
1	Dimmer	000-255	0~100%	
2	Red	000-255	0~100%	
3	Green	000-255	0~100%	
4	Blue	000-255	0~100%	
5	White	000-255	0~100%	
6	Strobe	000-030 031-100 101-130 131-200 201-255	No function (shutter open) Strobe effect slow to fast No function (shutter open) Random strobe effect slow to fast No function (shutter open)	Must work with patterns too.
7	Color function	000-010 011-039 040-059 060-079 080-099 100-119 120-255	No Function CTC Function Forward Spin Reverse Spin Color Presets HALODWE TBD	No Function Allow next channel CTC Function Allow correspondent next channel function Allow correspondent next channel function Allow correspondent next channel function Allow activation(see note below) Reserved for future functions (no function)

MENU

NO.	Main Menu	Menulevel 2	Menu level 3	Menu level 4	Remark
1	DMXAddress	<001>			Default : 001 Default : STD 15Ch
2	DMXChannel	HALO1Ch HALO4Ch STD 4Ch STD 6Ch STD 15Ch EXT 16 Ch EXT 19 Ch EXT 25 Ch			
3	DimmerMode	Off Dimmer1 Dimmer2 Dimmer3			Default : Off
4	White Balance	Manual	Red Green Blue White	<125-255> <125-255> <125-255> <125-255>	Default : RGB=255
5	Static	Fixed Color	R RW G GW B BW W RGW GB RBW RB GBW RG RGBW RGB	R G B W 2000K 225 200 0 105 3000K 200 200 40 150 4000K 180 200 40 180 5000K 170 200 50 240 6000K 150 200 60 255 7000K 150 220 105 255 8000K 150 235 135 255	Default: RGBW
		Manual Color	Red Green Blue White	<0-255> <0-255> <0-255> <0-255>	Default: RGBW=255

MENU

NO.	Main Menu	Menulevel 2	Menu level 3	Menu level 4	Remark
6	Dynamic Patterns		Speed	<1-100>	Default: RandomPattern speed=100; Background=RB Foreground=RGBW
			Background	Black	
		Pattern 1		R	
		Pattern 2		G	
		Pattern 3		B	
		Pattern 4		W	
		Pattern 5		GB	
		Pattern 6		RB	
		Pattern 7		RG	
		Pattern 8		RGB	
		Pattern 9	RW		
		GW		
		BW		
		Pattern 20	RGW		
		Pattern 21	RBW		
		Pattern 22	GBW		
		Pattern 23	RGBW		
		RandomPattern	White 2000K		
			White 3000K		
			White 4000K		
			Color Cycling		
			Foreground	Black	
				R	
	G				
	B				
	W				
	GB				
	RB				
	RG				
	RGB				
	RW				
	GW				
	BW				
	RGW				
	RBW				
	GBW				
	RGBW				
	White 2000K				
	White 3000K				
	White 4000K				
	Color Cycling				
7	Key Lock	On			Default : On
		Off			Password: Up DownUp DownEnter
8	Temperature	LED1 65°C			
		LED2 65°C			
		LED3 65°C			
		LED4 65°C			
9	Master/Slave	Master			Default : Slave
		Slave			
10	Back Light	On			Default : 30S
		10S			
		20S			
		30S			
11	Information	Fixture Hours	<9999H>		
		Version	<V1.0>		
		UID:	15D0020#***		
12	Reset Factory	NO			Default : NO
		YES			

MENU DESCRIPTION

DMX Address

Set DMX starting address at a value between 001-512

DMX Channel

Select DMX mode HALO 1/4CH; STD 4/6/15 CH; EXT 16/19/25 CH

Dimmer Mode

Four selectable dimmer curves: OFF Dimmer 1, 2, 3 (fast, medium, slow)

White Balance

Adjust RGB (125-255) levels to achieve desired white light

Dynamic Patterns

23 dynamic patterns and one random pattern.

Key Lock

Password protection option.

Temperature

Check the LED 's current temperature from working 1-4 hours.

Master / Slave

Assign fixture to operate as either Master or Slave unit in multiple configurations

Back Light

Set delay time for menu display to go dark at either 10, 20 or 30 seconds or choose always ON.

Information

Displays fixture run time, software version and UID.

Factory Reset

Restore factory settings.

Static

Static adjustment :15 selectable colors and different CRI available.

1	2	3	4	5	6	7	8	9	10	11	12	13	14	15
R	G	B	W	GB	RB	RG	RGB	RW	GW	BW	RGW	RBW	GBW	RGBW
2000K		3000K		4000K		5000K		6000K		7000K		8000K		