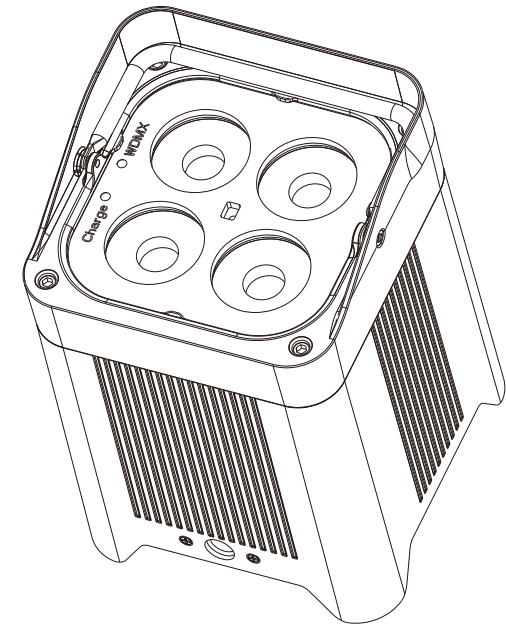




apollo

Compact, high-power, outdoor-rated, cable-free, battery-powered LED upright with onboard wireless DMX, infrared remote, and manual control via OLED function menu + Six-unit road-worthy custom charging case.

SHOWPRO






WARNING! Before carrying out any operations with the unit, carefully read this instruction manual and keep it with care for future reference. It contains important information about the installation, usage and maintenance of the unit.



SAFETY

General instruction

- The products referred to in this manual conform to the European Community Directives and are therefore marked with **CE**.
- The unit is supplied with hazardous network voltage (230V~). Leave servicing to skilled personnel only. Never make any modifications on the unit not described in this instruction manual, otherwise you will risk an electric shock.
- Connection must be made to a power supply system fitted with efficient earthing (Class I appliance according to standard EN 60598-1). It is, moreover, recommended to protect the supply lines of the units from indirect contact and/or shorting to earth by using appropriately sized residual current devices.
- The connection to the main network of electric distribution must be carried out by a qualified electrical installer. Check that the main frequency and voltage correspond to those for which the unit is designed as given on the electrical data label.
- This unit is not for home use, only professional applications.
- Never use the fixture under the following conditions:
 - in places subject to vibrations or bumps;
 - in places with a temperature of over 40 °C.
- Make certain that no inflammable liquids, water or metal objects enter the fixture.
- Do not dismantle or modify the fixture.
- All work must always be carried out by qualified technical personnel. Contact the nearest sales point for an inspection or contact the manufacturer directly.
- If the unit is to be put out of operation definitively, take it to a local recycling plant for a disposal which is not harmful to the environment. 

Warnings and installation precautions

- If this device will be operated in any way different to the one described in this manual, it may suffer damage and the guarantee becomes void. Furthermore, any other operation may lead to dangers like short circuit, burns, electric shock, etc.
- Before starting any maintenance work or cleaning the projector, cut off power from the main supply.
- Always additionally secure the projector with the safety rope. When carrying out any work, always comply scrupulously with all the regulations (particularly regarding safety) currently in force in the country in which the fixture's being used.
- Install the fixture in a well ventilated place.
- Keep any inflammable material at a safe distance from the fixture.
- Shields, lenses or ultraviolet screens shall be changed if they have become damaged to such an extent that their effectiveness is impaired.
- The lamp (LED) shall be changed if it has become damaged or thermally deformed.
- Never look directly at the light beam. Please note that fast changes in lighting, e. g. flashing light, may trigger epileptic seizures in photosensitive persons or persons with epilepsy.
- Do not touch the product's housing when operating because it may be very hot.

2.9 INFRARED IR6 REMOTE CONTROL

INFRARED (IR6) REMOTE CONTROL OPERATION

The IR6 infrared controller enables remote control of the APOLLO.

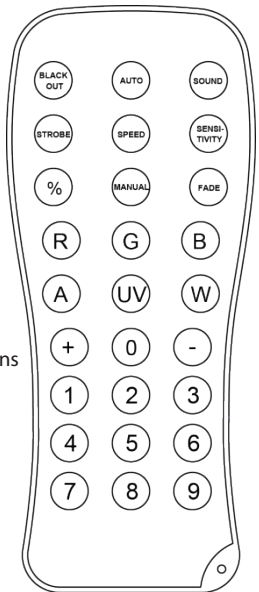
To pair the IR6 to the APOLLO, follow these steps:

1. Press MENU button until **IR Setup** is displayed
2. Press ENTER
3. Press UP or DOWN to turn infrared operation ON or OFF
4. Press ENTER

IR6 BUTTON FUNCTIONS

Buttons not listed below are not used with APOLLO

AUTO	: Run auto programs
FADE	: Fade auto programs
SPEED	: Enable speed adjustment of auto programs
+ / -	: Increase / decrease speed of auto programs
MANUAL	: Enable manual selection of colors
0 - 9	: Press numbers between 0 - 9 to choose colors : Corresponding to white (full output) / red / orange / yellow / green / purple / blue / magenta / pink / amber
R G B W	: Press MANUAL, then Press R, G, B, or W buttons
+ / -	: Increase / decrease output of each color using +/- buttons
%	: Adjusts total output level
+ / -	: Increase / decrease output level
STROBE	: Enable adjustment of strobe rate
+ / -	: Increase / decrease strobe rate
STROBE	: Press again to turn off strobe
BLACKOUT	: Turn off all output
BLACKOUT	: Press again to exit blackout mode
Note:	: If IR6 remote is not responding, press BLACKOUT to confirm that blackout mode was not mistakenly activated



2.8 WIRELESS DMX OPERATION:

APOLLO can operate in W-DMX mode up to 300m from the W-DMX transmitter. The W-DMX receiver in the APOLLO must be paired with a W-DMX transmitter for wireless operation.

INITIAL SETUP

1. Turn on the W-DMX transmitter
2. Connect the W-DMX transmitter to a DMX controller
3. Position the APOLLO fixture within 300m of the W-DMX transmitter
4. Turn on the APOLLO fixture

CONFIGURATION

1. On the APOLLO control panel, go to DMX ADDRESS
2. Select the starting address
3. On the APOLLO control panel, go to WIRELESS SETTING
4. Set <Receive> to ON (the APOLLO signal indicator will display a ? above the bars)
5. Press the Reset button on the W-DMX transmitter (the APOLLO signal indicator will change to a 4 symbol above the bars while connection is establish)

PAIRING

Once successfully paired, the APOLLO signal indicator will indicate the strength of the signal. At this point, the APOLLO is ready to be operated wirelessly by DMX. If the APOLLO fixture is subsequently used with a different W-DMX transmitter, follow steps below.

1. On the APOLLO control panel, go to WIRELESS SETTING
2. Select <Reset> (the APOLLO signal indicator will display a ? above the bars)
3. Press the Reset button on the W-DMX transmitter
4. The APOLLO signal indicator will display the strength of the signal once pairing has been successful

TABLE OF CONTENTS

Safety

General instructions
Warnings and installation precautions
General information

1 Introduction

1.1 Description and Technical specifications

1.2 Maintenance

Cleaning the unit
Fuse replacement
Trouble shooting

1.3 Operating elements and connections

1.4 Menu button overview

1.5 Operating elements and connections (charging case)

1.6 Dimensions

1.7 Photometrics

2 Functions and settings

2.1 Menu structure

2.2 Menu function descriptions

2.3 Wireless DMX operation

2.4 Example of DMX configuration

2.5 Wireless DMX status display codes

2.6 DMX channel functions

4-channel mode

6-channel mode

HSV mode

HSI mode

2.7 DMX channel function: 10-channel mode

2.8 Wireless DMX operation

2.9 Infrared IR6 remote control

Packing content

(6) APOLLO
(1) Charging case
(1) IR6 remote
(1) PowerCon cable
(1) User Manual
(1) Warranty card

INTRODUCTION

APOLLO is a compact, high-power, outdoor-rated, cable-free, battery-powered LED upright with onboard wireless DMX, infrared remote, and manual control via OLED function menu + Six-unit road-worthy custom charging case.

FEATURES

- 4 x 12W RGBW (or RGBA) LED
- 8 hours continuous battery-powered operation at full output, 20 hours at single color
- Onboard wireless DMX
- 3-channel Hue-Saturation-Value and Hue-Saturation-Intensity modes
- Ultra-linear dimming technology for flawless color mixing
- Patented structural design delivers superior passive cooling
- High frequency 1200 Hz LED modulation for flicker-free output
- Adjustable white balance
- IP54: Designed for both indoor and outdoor use
- Patented structural design delivers superior passive cooling
- Charging station in rugged touring case holds 6 units
- Password protected key lock
- Chrome finish
- Threaded receiver for clamp mounting
- DMX, Manual, Standalone (Auto Shows), Master/Slave, IR control

SPECIFICATIONS

Light Source:	4 x 12W RGBW (or RGBA) LED
Beam Angle:	11°
Field Angle:	21°
Output:	743 (RGBW) or 436 (RGBA) LUX @ 5 meters
Color Mixing:	RGBW or RGBA
Strobe:	0-30 Hz
Dimming:	4 dimming curve modes
Control:	W-DMX, Manual, Standalone, Master/Slave, Infrared remote
DMX Channels:	4 / 6 / 10 / HSV / HSI
Display:	OLED function menu with 4 touch buttons
Mains:	100 - 240 VAC, 50/60 Hz
Consumption:	44W
Power connections:	Proprietary
Battery:	Lithium Ion
Housing:	Diecast Aluminum
Finish:	Chrome
IP rating:	IP54
Cooling:	Passive
Max. Ambient:	40°C
Min. Ambient:	-20°C
Max. Housing:	58°C
Dimensions:	145 x 138 x 202 mm
Weight:	3.68 KG

Charging case dims:	470 x 555 x 547 mm
Charging case weight:	22.3 kg (empty) ; 44.38 kg (loaded)
Charging case power:	Consumption : 350W / Charging output: DC 24V 14.58A
Power connections:	Neutrik PowerCon

2.7 DMX CONTROL : 10-CHANNEL MODE

CHANNEL	FUNCTION	VALUE	PERCENT / SETTING
1	DIMMER	000-255	0 ~ 100%
2	RED	000-255	0 ~ 100%
3	GREEN	000-255	0 ~ 100%
4	BLUE	000-255	0 ~ 100%
5	WHITE	000-255	0 ~ 100%
6	STROBE	000-010 011-255	NO FUNCTION SLOW TO FAST
7	COLOR PRESETS + WHITE BALANCE	000-010	NO FUNCTION
		011-030	R 100% G 0-100% B 0
		031-050	R 100%-0 G 100% B 0
		051-070	R 0 G 100% B 0-100%
		071-090	R 0 G 100%-0 B 100%
		091-110	R 0-100% G 0 B 100%
		111-130	R 100% G 0 B 100%-0
		131-150	R 100% G 0-100% B 0-100%
		151-170	R 100%-0 G 100%-0 B 100%
		171-200	R 100% G 100% B 100% W 100%
		201-205	WHITE BALANCE PRESET 1
		206-210	WHITE BALANCE PRESET 2
		211-215	WHITE BALANCE PRESET 3
		216-220	WHITE BALANCE PRESET 4
		221-225	WHITE BALANCE PRESET 5
226-230	WHITE BALANCE PRESET 6		
231-235	WHITE BALANCE PRESET 7		
236-240	WHITE BALANCE PRESET 8		
241-245	WHITE BALANCE PRESET 9		
246-250	WHITE BALANCE PRESET 10		
251-255	WHITE BALANCE PRESET 11		
8	AUTO PROGRAMS	000-051	NO FUNCTION
		052-101	Auto Program 1
		102-152	Auto Program 2
		153-203	Auto Program 3
		204-254	Auto Program 4
		255	Auto Program 5 (Auto Programs 1-4)
9	SPEED	000-255	Auto speed slow to fast
10	DIMMER CURVES	000-051	Preset dimmer speed from display menu
		052-101	Dimmer curve OFF
		102-152	Dimmer curve 1 (fast)
		153-203	Dimmer curve 2 (medium)
		204-255	Dimmer curve 3 (slow)

2.6 DMX CONTROL

4-CHANNEL MODE

CHANNEL	FUNCTION	VALUES	PERCENT
1	RED	000-255	0~100%
2	GREEN	000-255	0~100%
3	BLUE	000-255	0~100%
4	WHITE	000-255	0~100%

6-CHANNEL MODE

CHANNEL	FUNCTION	VALUES	PERCENT
1	MASTER DIMMING	000-255	0~100%
2	RED	000-255	0~100%
3	GREEN	000-255	0~100%
4	BLUE	000-255	0~100%
5	WHITE	000-255	0~100%
6	STROBE	000-010 011-255	NO FUNCTION SLOW TO FAST

3-CHANNEL HSV MODE

HSV	FUNCTION	VALUES	DESCRIPTION
1	H	000-255	Hue
2	S	000-255	Saturation
3	V	000-255	Value (Brightness)

3-CHANNEL HSI MODE

HSI	FUNCTION	VALUES	DESCRIPTION
1	H	000-255	Hue
2	S	000-255	Saturation
3	I	000-255	Intensity

- 1.2 - MAINTENANCE

MAINTENANCE AND CLEANING THE UNIT

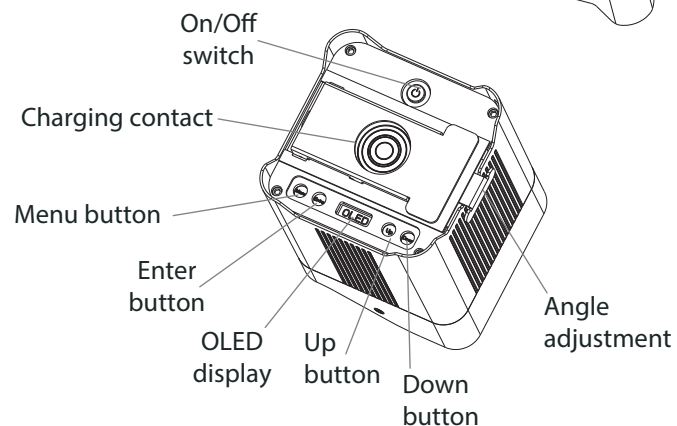
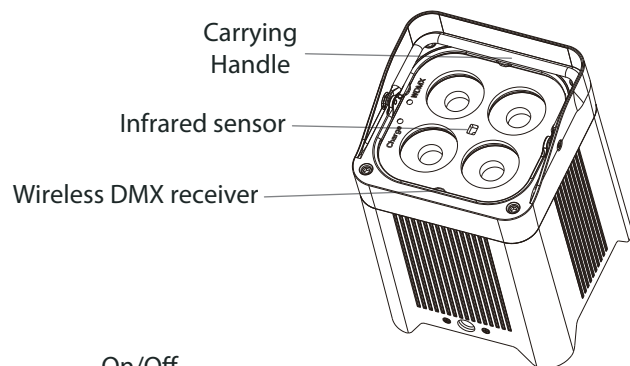
- Make sure the area below the installation place is free from unwanted persons during setup.
- Switch off the unit, unplug the main cable and wait until the unit has cooled down.
- All screws used for installing the device and any of its parts should be tightly fastened and should not be corroded.
- Housings, fixations and installation spots (ceiling, trusses, suspensions) should be totally free from any deformation.
- The main cables must be in impeccable condition and should be replaced immediately even when a small problem is detected.
- It is recommended to clean the front at regular intervals, from impurities caused by dust, smoke, or other particles to ensure that the light is radiated at maximum brightness. For cleaning, disconnect the main plug from the socket. Use a soft, clean cloth moistened with a mild detergent. Then carefully wipe the part dry. For cleaning other housing parts use only a soft, clean cloth. Never use a liquid, it might penetrate the unit and cause damage to it.

TROUBLESHOOTING

Problems	Possible causes	Checks and remedies
Fixture does not light up	<ul style="list-style-type: none"> • No mains supply • Dimmer fader set to 0 • All color faders set to 0 • Faulty LED • Faulty LED board 	<ul style="list-style-type: none"> • Check the power supply voltage • Increase the value of the dimmer channels • Increase the value of the color channels • Replace the LED board • Replace the LED board
General low light intensity	<ul style="list-style-type: none"> • Dirty lens assembly • Misaligned lens assembly 	<ul style="list-style-type: none"> • Clean the fixture regularly • Install lens assembly properly
Fixture does not power up	<ul style="list-style-type: none"> • No power • Loose or damaged power cord • Faulty internal power supply 	<ul style="list-style-type: none"> • Check for power on power outlet • Check power cord • Replace internal power supply
Fixture does not respond to DMX	<ul style="list-style-type: none"> • Wrong DMX addressing • Damaged DMX cables • Bouncing signals 	<ul style="list-style-type: none"> • Check control panel and unit addressing • Check DMX cables • Install terminator as suggested

Contact an authorized service center in case of technical problems or not reported in the table can not be resolved by the procedure given in the table.

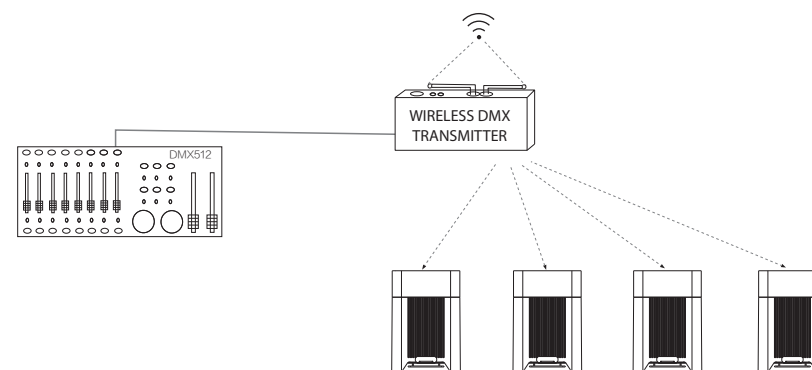
1.3 OPERATING ELEMENTS AND CONNECTIONS (APOLLO FIXTURE)



1.4 MENU BUTTON OVERVIEW

MENU	UP	DOWN	ENTER
Used to access the menu or to return a previous menu option	Navigates downwards through the menu list and increases the numeric value when in a function	Navigates upwards through the menu list and decreases the numeric value when in a function	Used to select and store the current menu or confirm the current function value or option within a menu

2.3 WIRELESS DMX OPERATION









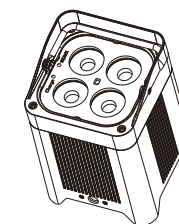
2.4 Example of possible DMX configurations and address settings:

MODE	ALLOCATION (1ST FIXTURE)	STARTING ADDRESS (1ST FIXTURE)	STARTING ADDRESS (2ND FIXTURE)	STARTING ADDRESS (3RD FIXTURE)	STARTING ADDRESS (4TH FIXTURE)
4CH	001-004	001	005	009	013
6CH	002-007	002	008	014	020
10CH	023-032	023	033	043	053

Follow above method for subsequent fixtures, calculating starting addresses as indicated.

2.5 WIRELESS DMX STATUS DISPLAY CODE DESCRIPTIONS

-  Wireless switched off
-  Connected with Transmitter
-  Seconds: Authorization with transmitter
Continuous: No previous connected transmitter found
-  No wireless connection
-  Free to connect with any transmitter
-  Connection lost



2.2 MENU FUNCTION DESCRIPTIONS

1. Auto Show

Five auto programs to choose from. Auto program #5 includes playback of programs 1-4. Speed can be adjusted 0-100 (slow to fast).

2. Static

Select color presets under <static> menu option or use <manual color> option to mix custom colors.

3. Dimmer Mode

Four selectable dimmer curves: <OFF>, <Dimmer1> (fast), <Dimmer2> (medium), <Dimmer3> (slow).

4. Back light

Set delay time for menu display to go dark at either 10, 20 or 30 seconds or choose always ON.

5. Information

Fixture software version and runtime clock.

6. DMX Address

Set DMX starting address at a value between 001-512.

7. DMX Channel

Select DMX mode: 3-channel HSV or HSI, or 4-, 6- or 10-channel operation

8. Master/Slave

Assign fixture to operate as either Master or Slave unit in configurations with multiple Apollo fixtures

9. White Balance

Adjust RGB levels to achieve desired white light

10. Wireless setting

Turn wireless DMX receiver on/off or reset.

11. IR SETUP

Turn IR sensor on/off to enable/disable infrared remote control.

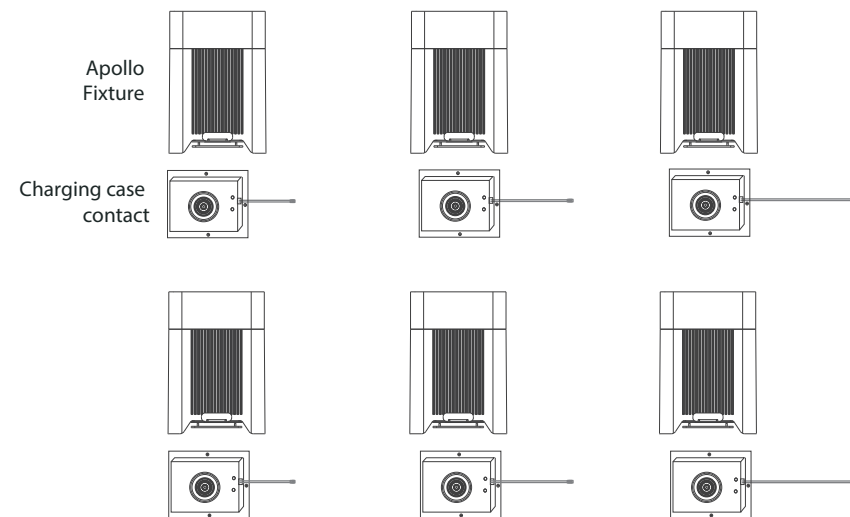
12. KEY LOCK

Password protection option.

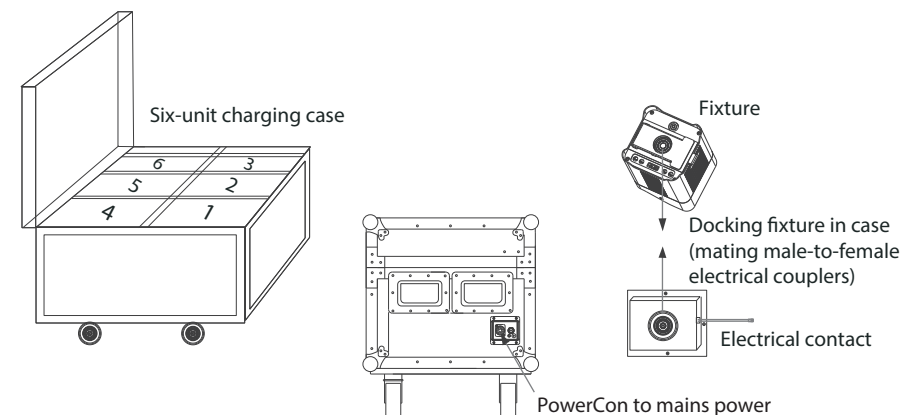
13. FACTORY RESET

Restore factory settings.

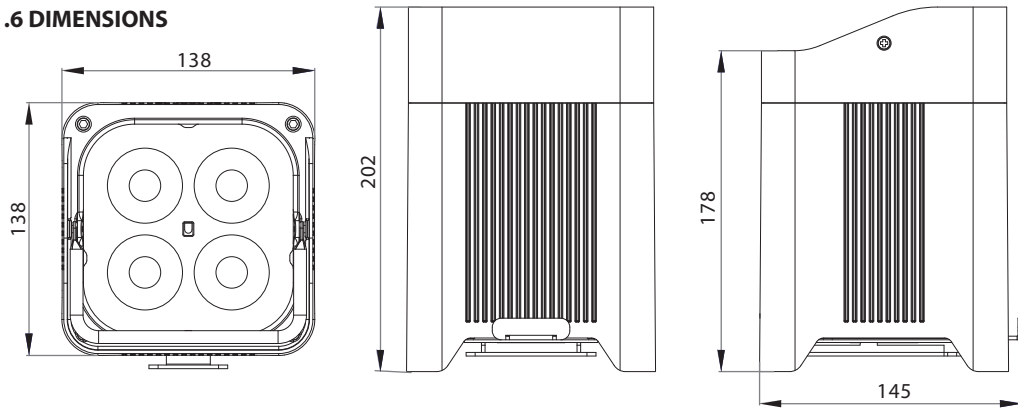
1.5 OPERATING ELEMENTS AND CONNECTIONS (CHARGING CASE)



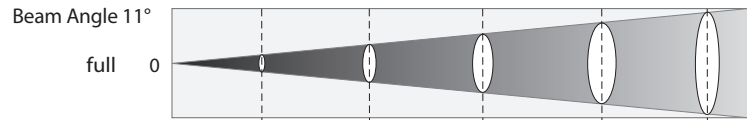
Flight case with PowerCon power in and six charging stations



1.6 DIMENSIONS



1.7 PHOTOMETRICS



Projection Distance (m)	1m	3m	5m	7m	10m	Lumens
Luminance (lux) (RGBW)	18580	2064	743	379	186	1162
Luminance (lux) (RGBA)	10915	1213	437	223	109	742

distance (m) / color	1	3	5	7	10	Lumens
R	4422	491	177	90	44	335
G	9823	1091	393	200	98	572
B	1541	171	62	31	15	113
W	12188	1354	488	249	122	705
RGBW (lux)	18580	2064	743	379	186	1162

distance (m) / color	1	3	5	7	10	Lumens
R	5482	609	219	112	55	313
G	8796	977	352	180	88	584
B	1199	133	48	24	12	116
A	4462	496	179	91	45	365
RGBA (lux)	10915	1213	437	223	109	742

2.1 MENU STRUCTURE

NO.	Main Menu	Menu level 2	Menu level 3	Remark
1	Auto Show	<Auto 1>	<100>	Default: Auto 1; Speed:100
		<Auto 2>	<100>	
		<Auto 3>	<100>	
		<Auto 4>	<100>	
		<Auto 5>	<100>	
2	Static	<Static>	R	Default: RGBW
			G	
			B	
			W	
			GB	
			RB	
			RG	
			RGB	
			RW	
			GW	
			BW	
			RGW	
			RBW	
			GBW	
		RGBW		
<Manual Color>	<R=255>	<G=255>	Default: 255	
	<G=255>	<B=255>		
	<B=255>	<W=255>		
	<W=255>			
3	Dimmer Mode	<Off>		Default: OFF
		<Dimmer 1>		
		<Dimmer 2>		
		<Dimmer 3>		
4	Back Light	<On>		Default: On
		<10S>		
		<20S>		
		<30S>		
5	Information	Fixture Hours	<9999H>	
		Version	<V1.0>	
6	DMX Address	<001>		Default: 001
7	DMX Channel	<4Ch>		Default: 10CH
		<6Ch>		
		<10Ch>		
		<HSV>		
		<HSI>		
8	Master/Slave	<Master>		Default: Slave
		<Slave>		
9	White Balance	<R=255>	<R=255>	Default: RGB=255
		<G=255>	<G=255>	
		<B=255>	<B=255>	
10	Wireless Setting	Receive On/Off	On	Default :Off
			Off	
	Receive Reset	No	Default :No	
		Yes		
11	IR Setup	On		Default :On
		Off		
12	Key Lock	On		Default :On Password: UP DOWN UP DOWN Enter
		Off		
13	Factory Reset	No		Default :No
		Yes		