

SHOWPRO

Venue Haze 1200



User Manual

1. Introduction

Thank you for choosing the Venue Haze 1200. To make our products more convenient and safer for customers, please read the instruction manual and observe the regulations of this manual before using this product.

2. Package contents

- 1x Venue Haze 1200 machine
- 1x User manual
- 1x Power cable
- 1x D-800 timing controller (Optional)

After receiving the machine, please carefully unpack and check everything to ensure that all parts are complete and in good condition. If the outer packaging is damaged and any parts are damaged or missing due to transportation, please contact the dealer or carrier immediately and return it in the original packaging.

3. Product description

Venue Haze 1200 is a haze machine with a large output, which can quickly produce a lot of thin smoke to float in the air. It adopts a remote controller, which can adjust the smoke output. It can also be controlled using a DMX console.

4. Product features:

- Low noise and environmental protection that doesn't produce scorch marks.
- Low fuel consumption, compact and light.
- Supports DMX-512.
- No-fluid protection function to ensure a longer service life.

5. Safety instructions

- Do not touch the device during operation as the housing heats up.
- Keep this device away from rain and moisture.
- Unplug the mains lead before opening the housing.
- Damage caused by disregarding the guidelines in this manual is not covered by the warranty and the dealer will not accept responsibility for any ensuing defects or problems.
- A qualified technician should install and service this device.
- Do not switch the device on immediately after it has been exposed to changes in temperature. Protect the device against damage by leaving it switched off until it has reached room temperature.
- Make sure that the available voltage does not exceed the voltage stated in the specification of this manual.
- Do not crimp the power cord and protect it against damage. Have an authorized dealer replace it if necessary.
- Disconnect the device from the mains to clean it or when it is not in use. Handle the power cord by the plug only.
- Note that damage caused by user modification to the device is not covered by the warranty.
- Keep the device away from children and unauthorized users.

6. Important guidelines

6.1. Environment

- Do not dispose of the unit (or batteries) as unsorted municipal waste. It should be taken to a specialized company for recycling
- This device should be returned to your distributor or to a local recycling service.
- Respect the local environmental rules.
- If in doubt, contact your local waste disposal authorities.

Thank you for choosing this machine. If the device was damaged in transit, don't install or use it and contact your dealer.

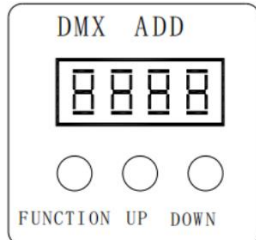
6.2. Installation guide:

- Have the device installed by a qualified person, respecting local laws and EN 60598-2-17.
- Never stand directly below the device when it is being mounted, removed, or serviced.
- Have a qualified technician check the device once a year at a minimum.
- Install the device in a location with few passers-by that is inaccessible to unauthorized persons.
- Adjust the desired inclination angle via the mounting bracket and tighten the bracket screws.
- Make sure there is no flammable material with a 50CM radius of the device. Connect the device to the mains with the power plug.
- The installation must be approved by an expert before the device is taken into service.

7. Operation instructions

- Place the machine flat in a dry and stable position, check and confirm that the appearance and accessories of the machine are undamaged, and check that the power cord is in good condition without damage or extrusion deformation.
- Take out the haze fluid bottle, remove the fluid cap, and add high-quality haze fluid. Close the cap and tighten it and return to the machine. The use of haze fluid from other manufacturers will cause the machine to become blocked and damaged, and the machine will not be covered by the warranty.
- Confirm that the power specification is consistent with the rated voltage of the machine, connect the power plug, and plug the power cord into the grounded socket.
- If the temperature has not reached operating levels, the display will show "UP". When the display shows "READ", it means that the heating of the machine has been completed. Only when the machine has completed the warmup cycle can it be operated.
- If the machine cannot sense the presence of fluid in the tube, it will display "disc XXX" (XXX indicates the DMX 512 address). In this instance, press and hold the "manual" key of D-800 Timing Controller or the "down" button on the unit to draw fluid into the tube. All other controls are disabled.
- According to the operation instructions of the control panel, set the fixture parameters as required. If you do not provide input for 5 seconds, you will exit to the main interface and save the current settings.
- In standard mode, the controls of the machine include the on-board panel, D-800 Timing control, and DMX. The priority order is: DMX > D-800 Timing control > on-board panel.

7.1 Control Board:



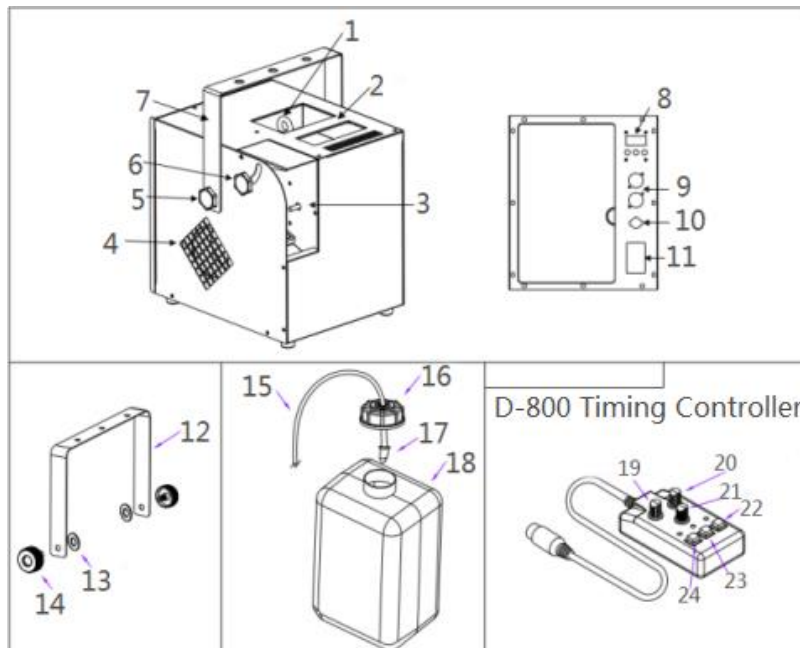
MENU	VALUE	DESCRIPTION
d***	d001-d511	DMX ADD Setting
h***	h001-h005	Fog output: min-max
f***	f001-f005	Fan speed: min-max

7.2 DMX:

This machine has two channels.

- Channel 1: Controls fan speed. DMX: 0 is off, 1-255 increases the output gradually.
- Channel 2: Controls smoke volume. DMX: 0 is off, 1-255 increases the output gradually.
- NOTE: When channel 2 is greater than 0, even if channel 1 is set to 0, the fan will work at the minimum speed to ensure smoke is pushed from the unit.
- If DMX signal is detected, the machine will default to DMX control. When DMX is connected, press UP or DOWN to adjust the DMX address.

8. Product Diagram



- | | | |
|--------------------|------------------------------|----------------------|
| 1.Safety eyelet | 9.DMX-socket | 17.Filter |
| 2.Handle | 10.Wire controller connector | 18.Tank |
| 3.Nozzle | 11.Power supply | 19.Interval(1-30s) |
| 4.Vent | 12.Bracket | 20.Duration(1-20s) |
| 5.Fixation Screw | 13.Washer | 21.Output adjustment |
| 6.Adjustable angle | 14.Fixation Screw | 22.Manual |
| 7.Bracket | 15.Tube | 23.Duration |
| 8.Control Board | 16.Tank cap | 24.Timer |

9. Maintenance

- Please use our high-quality haze fluid to extend the life of the machine. Non-professionals do not disassemble the machine and do not modify the machine to avoid danger.
- After using the machine, please turn off the power and unplug it. Use a damp cloth to clean the dust and fluid stains on the machine. Excessive dust and residual fluid on the machine will reduce performance and may cause poor heat dissipation from the nozzle, which can damage the machine.
- It is recommended to run the machine at least once a month to maintain the best performance and output condition.
- Blockages in the heating pipe can occur due to the use of low-quality haze fluid or frequent long-term use. Therefore, regular maintenance can improve the performance of the machine. After the haze machine has been used continuously for 40 hours or three months, clean using a mixture of 35% white vinegar + 65% distilled water. After heating the machine, run the output at full for 3-5 minutes, and repeat using distilled water for 3-5 minutes.

10. Product Warranty Instructions

Proof of purchase must be presented when the product requires warranty service. The warranty instructions are as follows.

Warranty period: Free maintenance within one year (from the date of purchase) This product will not be considered in warranty under the following circumstances:

- The product has been used incorrectly or negligently, such as: overloading and overvoltage.
- It has been broken due to careless handling.
- Failures caused by use in poor environments, such as high humidity, unstable voltage, etc.
- The product has been modified by non-factory personnel.
- The product does not use the factory-produced high-quality haze fluid for use

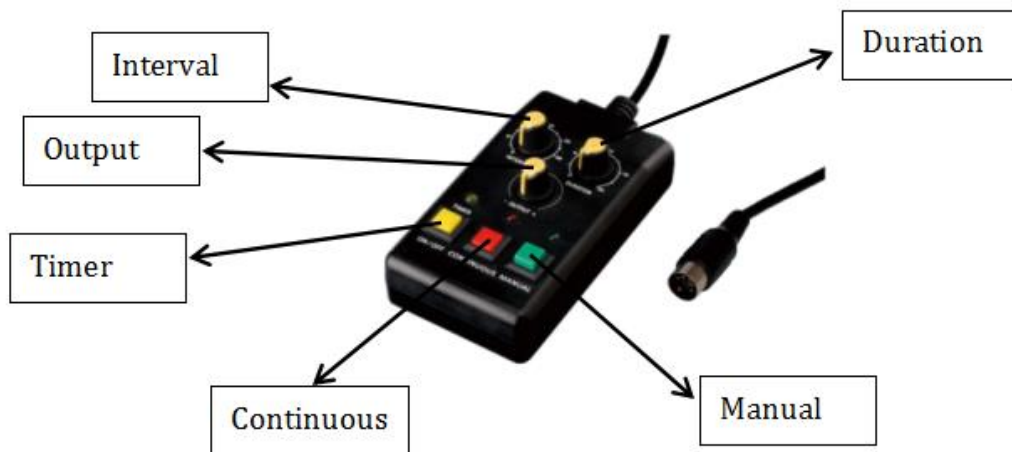
The items not covered by the warranty include packaging, product shell and bracket, battery in remote control. If the product complies with the warranty terms, the factory does not charge maintenance fees and accessories costs.

If you have any questions or issues, please consult your local dealer.

11. Technical Specifications

Voltage required:	AC220-230V /AC110-120V
Power consumption:	600W
Fuse:	5A/10A
Initial Warm-up Time	Approx. 3 min
Temperature control	Electronic Thermo-Control
Adjustable Output	YES
Hazer Output Volume	3900Cu ft/min
Continuous Output	Yes
Fluid Consumption @ full volume	Approx 140min/L
No-Fluid Protection	Support
Fluid	Pro C Fluid - DJPJCE110
Fluid tank	2.5L
Adjustable Fan Speed	YES
Adjustable Angle	YES
On-device Manual Control	Digital Display Board
Controller included	D-800 Timer Controller
Control Protocol	DMX512
DMX Channel	2 CH
DMX Data Connectors	3-pin XLR
Net Weight	7.8kg
Gross Weight	9kg
Machine Dimensions(L*W*H)	260*280*275MM
Packing Dimensions(L*W*H)	470*320*270MM

12. D-800 Timing Controller (Optional):



To use the controller, please connect the 5pin plug at the end of the wired controller to the machine.

There are three rotary knobs and Timer, Continuous and Manual buttons on the controller, which allow the operator to set and adjust the timer, interval and output.

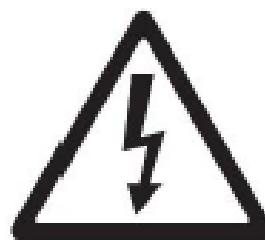
- Timer:** Start the Timer function
- Interval:** Adjust the interval between haze output (10s-250s)
- Duration:** Adjust the continuous haze time (1s-20s)
- Output:** Volume output adjustment (10%-100%)
- Continuous:** Runs the machine at a constant rate set by the Output knob.
- Manual:** Overrides all other settings and outputs haze at 100% while the button is depressed.



Caution! Safety hazard. Risk of severe injury or death.



Caution! Burn hazard. Hot surface. Do not touch.



Danger! Hazardous voltage. Contact will cause electric shock.



Caution! Fire hazard.